

Article datasheet

## Lock Washer $\text{\O}4.3/7.0 \times 0.5$ A2 Plain Stainless Steel

Article-No.: 003.04.049

Manufacturer: SCHNORR

Manufacturer article-no.: 414200 S4

**SCHNORR**  
DISC SPRING ENGINEERING



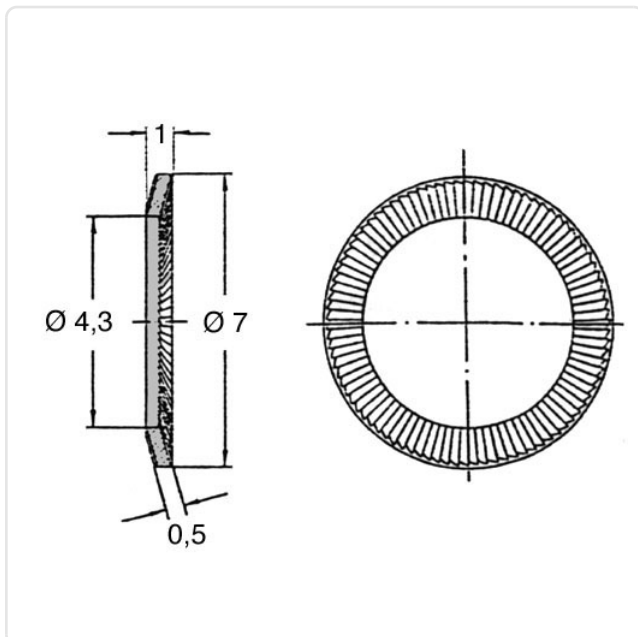
Image may be similar

Finish: Plain  
 For Thread Size: M4  
 Height [mm]: 0.5  
 Inner Diameter [mm]: 4.3  
 Material: Stainless Steel AISI 304 / X5CrNi18-10  
 Material Group: Stainless Steel  
 Outer Diameter [mm]: 7  
 Weight: 0.11g  
 Conformities:



You can find all information on the web on our article detail page

[Lock Washer  \$\text{\O}4.3/7.0 \times 0.5\$  A2 Plain Stainless Steel](#)



Would you like individual advice?

We look forward to your email to [products@ettinger.de](mailto:products@ettinger.de).

Subject to change and errors.