

Article datasheet

## Drive Fastener $\varnothing 3.2/1.0-4.5$ mm panel Polyoxymethylen(POM),black

Article-No.: 072.17.720



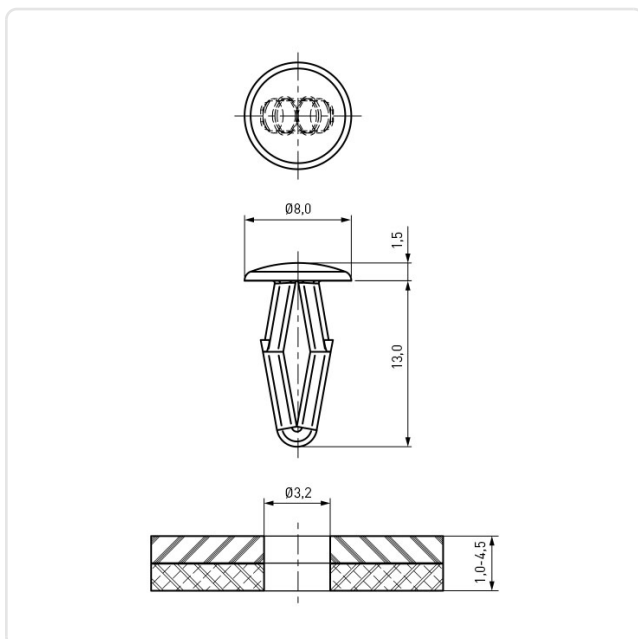
Image may be similar

Color:	Black
Head Diameter [mm]:	8
Material:	POM - Polyoxymethylene
Material Group:	Plastic
Mounting Hole [mm]:	3.2
Panel Thickness Range [mm]:	1.0 - 4.5
Weight:	0.17g
Conformities:	<div style="display: flex; gap: 10px;"> <div style="border: 1px solid green; padding: 2px; text-align: center;"> <small>Reach</small> COMPLIANT                 </div> <div style="border: 1px solid green; padding: 2px; text-align: center;"> <small>RoHS</small> COMPLIANT                 </div> <div style="border: 1px solid green; padding: 2px; text-align: center;"> <small>SVHC</small> COMPLIANT                 </div> </div>



You can find all information on the web on our article detail page

[Drive Fastener  \$\varnothing 3.2/1.0-4.5\$ mm panel Polyoxymethylen\(POM\),black](#)



Would you like individual advice?

We look forward to your email to [products@ettinger.de](mailto:products@ettinger.de).

Subject to change and errors.