

Article datasheet

Diecast Aluminum Enclosures 1590 / IP 54 / 38.5 x 27 x 92.5 mm

Article-No.: 097.05.091

Manufacturer: Hammond

Manufacturer article-no.: 1590A

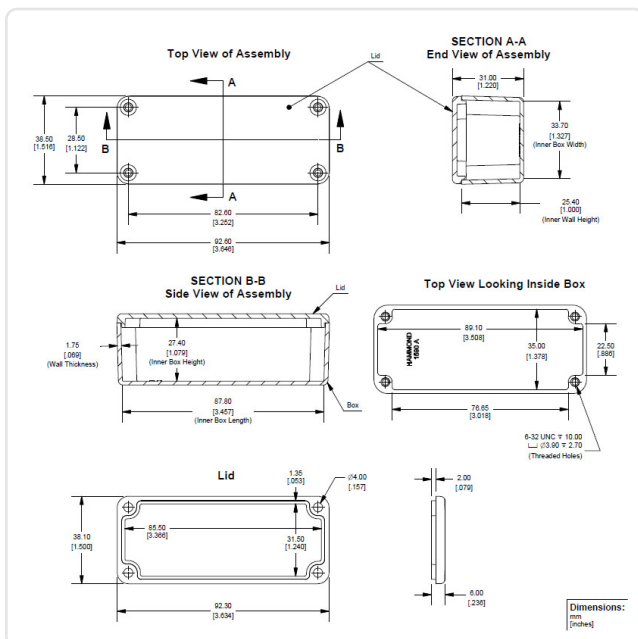


Image may be similar

Height [mm]: 27
 Length [mm]: 92.5
 Material: Aluminum
 Material Group: Aluminum
 Protection Code: IP54
 Width [mm]: 38.5
 Weight: 80g
 Conformities:



You can find all information on the web on our article detail page [Diecast Aluminum Enclosures 1590 / IP 54 / 38.5 x 27 x 92.5 mm](#)



Would you like individual advice?

We look forward to your email to products@ettinger.de.

Subject to change and errors.