

Article datasheet

Dowel Pin ISO2338 Ø6x20 Plain Steel

Article-No.: 080.00.0620



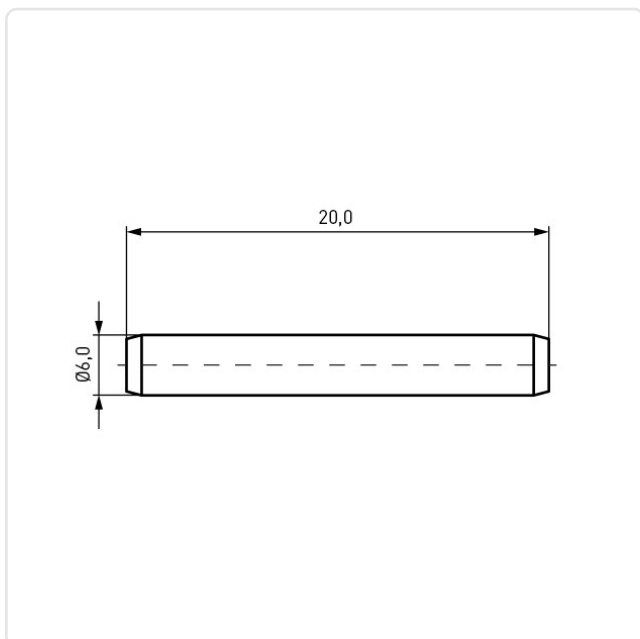
Image may be similar

DIN/ISO: ISO2338
Diameter [mm]: 6
Finish: Plain
Length [mm]: 20
Material: Steel AISI 12L13 / 11SMnPb30
Material Group: Stahl
Conformities:   



You can find all information on the web on our article detail page

[Dowel Pin ISO2338 Ø6x20 Plain Steel](#)



Would you like individual advice?

We look forward to your email to products@ettinger.de.

Subject to change and errors.