

Article datasheet

Solderless Terminal DIN 46237 C M4 Polyamid yellow E329382 for 4-6mm²

Article-No.: 018.39.544



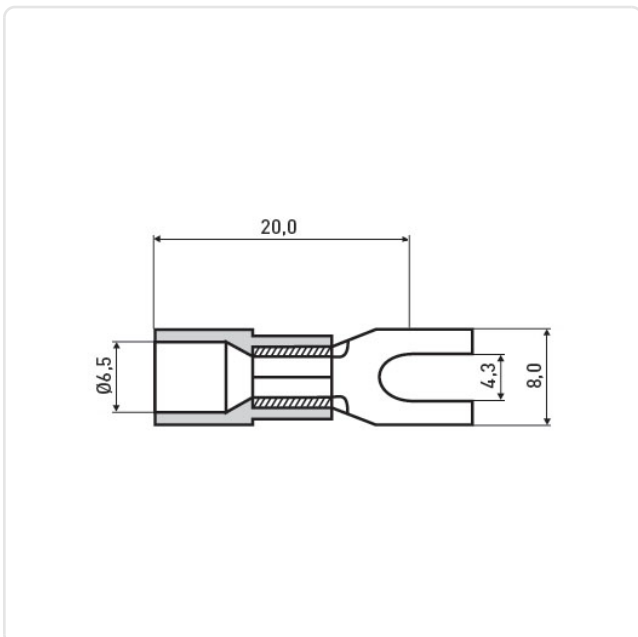
Image may be similar

Color:	Yellow
DIN/ISO:	DIN46237-C
Finish:	Tin-Plated
For Thread Size:	M4
Insulation:	Polyamide
Material:	Copper
Material Group:	Copper
Outer Diameter [mm]:	8
Wire Cross Section [mm ²]:	4.0-6.0
Weight:	1.64g
Conformities:	



You can find all information on the web on our article detail page

[Solderless Terminal DIN 46237 C M4 Polyamid yellow E329382 for 4-6mm²](#)



Would you like individual advice?

We look forward to your email to products@ettinger.de.

Subject to change and errors.