

Article datasheet

## Hole Grommet 25.0/32.0-2.0mm Polychloropren (Neopren) black

Article-No.: 014.78.532

Manufacturer: SES-Sterling

Manufacturer article-no.: 0258 0014 010



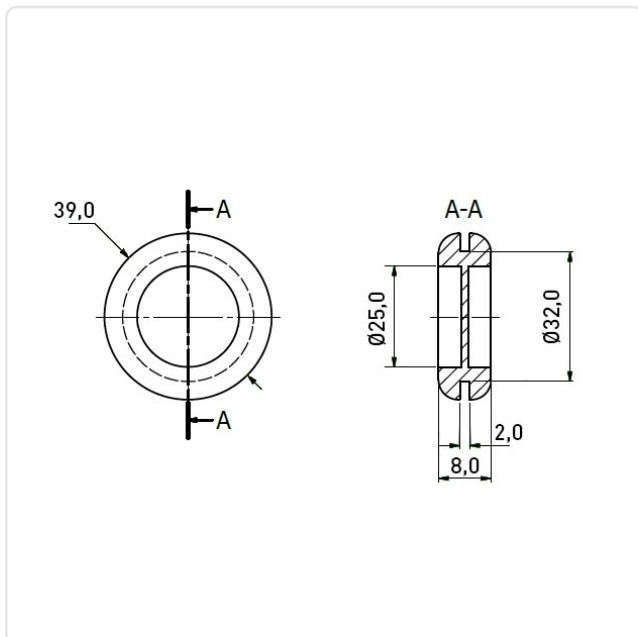
Image may be similar

Color:	Black
Inner Diameter [mm]:	25
Material:	CR - Polychloroprene
Material Group:	Plastic
Max. Panel Thickness [mm]:	2
Model:	Diaphragm Grommet, Closed
Mounting Hole [mm]:	32
Weight:	8.74g
Conformities:	



You can find all information on the web on our article detail page

[Hole Grommet 25.0/32.0-2.0mm Polychloropren \(Neopren\) black](#)



Would you like individual advice?

We look forward to your email to [products@ettinger.de](mailto:products@ettinger.de).

Subject to change and errors.