

Article datasheet

Cable connection for M20 clamping range \varnothing 7-13 / PA / grey

Article-No.: 014.23.208

Manufacturer: LAPP

Manufacturer article-no.: 53111020

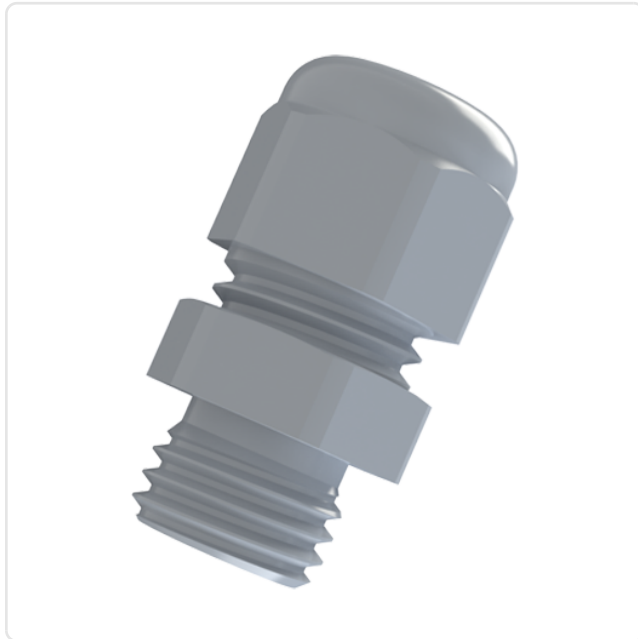


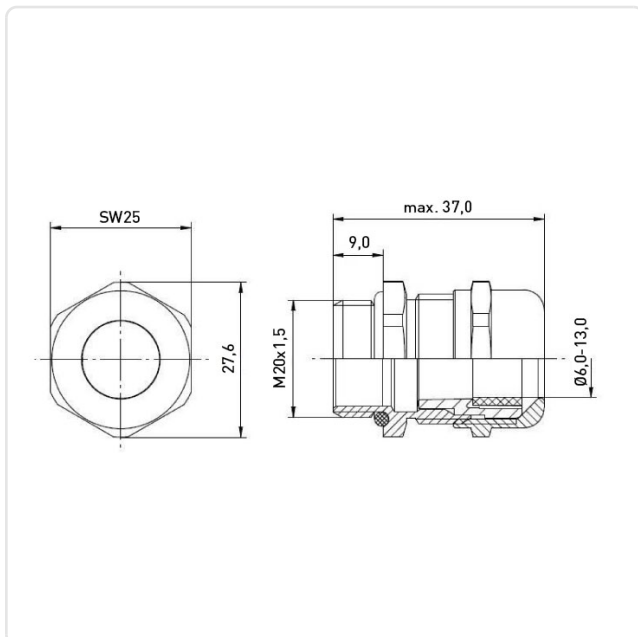
Image may be similar

AF / OD [mm]:	25
Color:	Gray
Material:	PA 6.0
Material Group:	Plastic
Mounting Hole [mm]:	20.5
Panel Thickness Range [mm]:	7-13
Protection Code:	IP68
Thread Size:	M20
Weight:	11.04g
Conformities:	



You can find all information on the web on our article detail page

[Cable connection for M20 clamping range \$\varnothing\$ 7-13 / PA / grey](#)



Would you like individual advice?

We look forward to your email to products@ettinger.de.

Subject to change and errors.