

Article datasheet

## IEC Power Inlet 2+E 5x20mm 1-pole 6.3x0.8mm terminals/10A-250V

Article-No.: 039.74.560



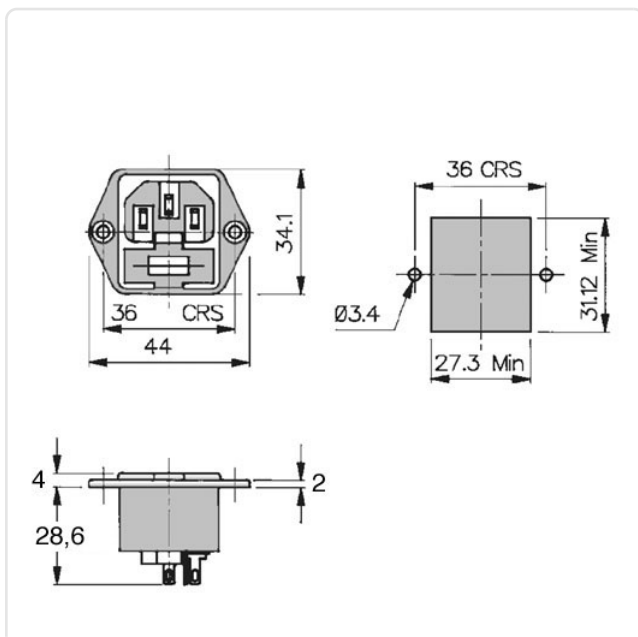
Image may be similar

Amperage [A]: 10  
 Color: Black  
 Connections: 6.3x0.8  
 Fuse Size [mm]: 5.0x20.0  
 Model: Plug, Screw Mounting  
 Weight: 16.06g  
 Conformities:



You can find all information on the web on our article detail page

[IEC Power Inlet 2+E 5x20mm 1-pole 6.3x0.8mm terminals/10A-250V](#)



Would you like individual advice?

We look forward to your email to [products@ettinger.de](mailto:products@ettinger.de).

Subject to change and errors.