

Article datasheet

PCB Support 9.5 | $\varnothing 3.2$ | $\varnothing 3.2$ Polyamide 6.6 natural

Article-No.: 006.33.506



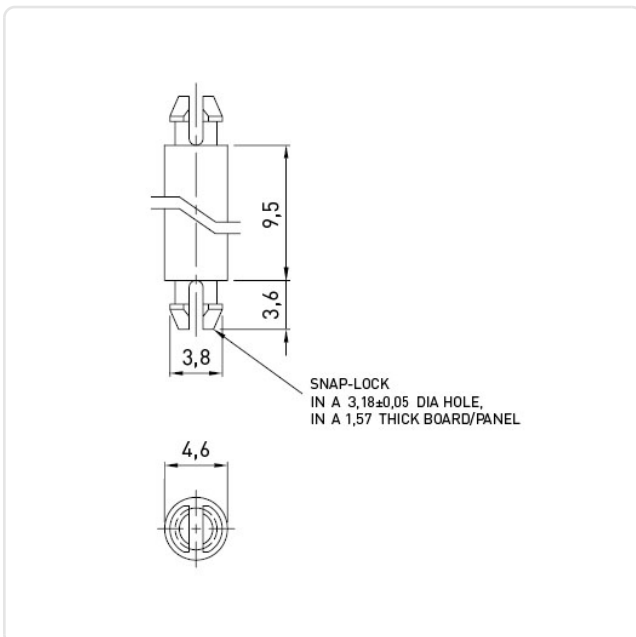
Image may be similar

Color:	Natural
Flammability Class:	UL94-V2
Length [mm]:	9.5
Material:	PA 6.6
Material Group:	Plastic
PCB Hole \varnothing [mm]:	3.2
PCB Thickness [mm]:	1.6
Panel Hole \varnothing [mm]:	3.2
Panel Thickness [mm]:	1.6
Weight:	0.22g
Conformities:	



You can find all information on the web on our article detail page

[PCB Support 9.5 | \$\varnothing 3.2\$ | \$\varnothing 3.2\$ Polyamide 6.6 natural](#)



Would you like individual advice?

We look forward to your email to products@ettinger.de.

Subject to change and errors.