

Article datasheet

Flat Tie Holder Srew Mount Polyamid natural

Article-No.: 072.79.001



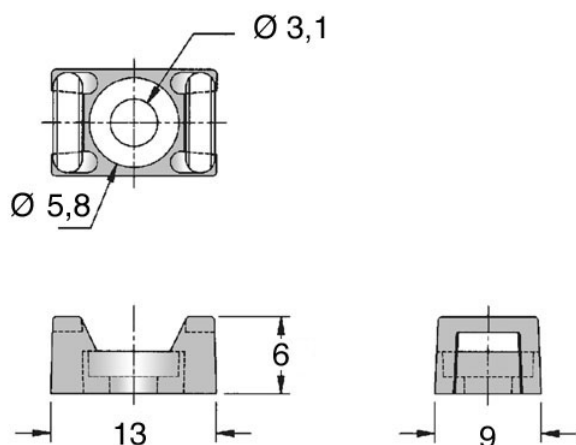
Image may be similar

Cable Tie Width max. [mm]:	4.0
Color:	Natural
Flammability Class:	UL94-V2
Height [mm]:	6
Length [mm]:	9
Material:	PA 6.6
Material Group:	Plastic
Model:	Screw Mounting
Width [mm]:	13
Weight:	0.31g
Conformities:	<div style="display: flex; justify-content: space-around; align-items: center;"> <div style="border: 1px solid green; padding: 2px; text-align: center; font-size: 8px;">SVHC COMPLIANT ✓</div> <div style="border: 1px solid green; padding: 2px; text-align: center; font-size: 8px;">Reach COMPLIANT ✓</div> <div style="border: 1px solid green; padding: 2px; text-align: center; font-size: 8px;">RoHS COMPLIANT ✓</div> </div>



You can find all information on the web on our article detail page

[Flat Tie Holder Srew Mount Polyamid natural](#)



Would you like individual advice?

We look forward to your email to products@ettinger.de.

Subject to change and errors.