

Article datasheet

Button Head Screw ISO7380-1 M3x8 Steel 8.8 Black Zinc Plated Hexalobular

Article-No.: 001.53.338

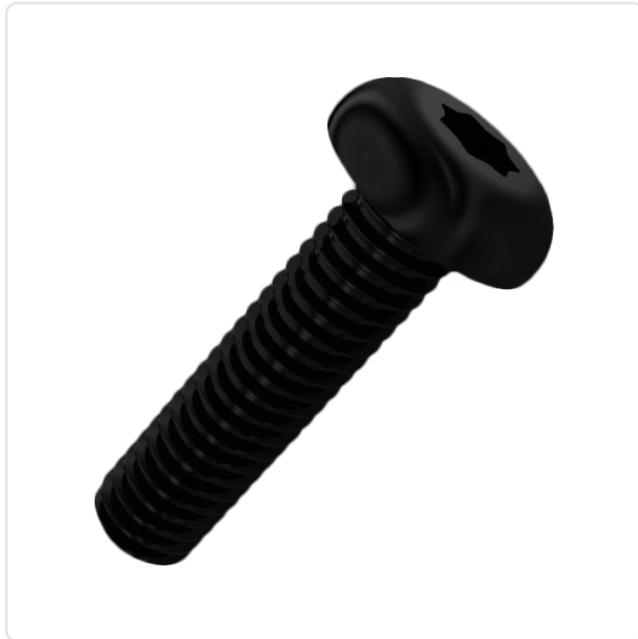
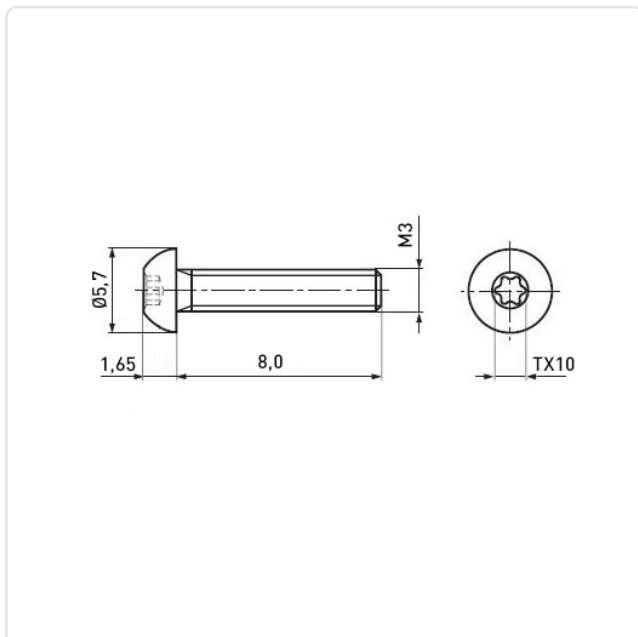


Image may be similar

Actuator Size:	Torx T10
DIN/ISO:	ISO7380-1
Drive Type:	TORX
Finish:	Galvanized, Black, 5 µm, A2R
Head Diameter [mm]:	5.7
Head Height [mm]:	1.65
Head Shape:	Button Head
Length [mm]:	8
Material:	Steel 8.8
Material Group:	Stahl
Thread Size:	M3
Weight:	0.55g
Conformities:	



You can find all information on the web on our article detail page

[Button Head Screw ISO7380-1 M3x8 Steel 8.8 Black Zinc Plated Hexalobular](#)

Would you like individual advice?

We look forward to your email to products@ettinger.de.

Subject to change and errors.