

Article datasheet

**Standoff POM White F/F Ø6x22 | Thread M3x10 / M3x10**

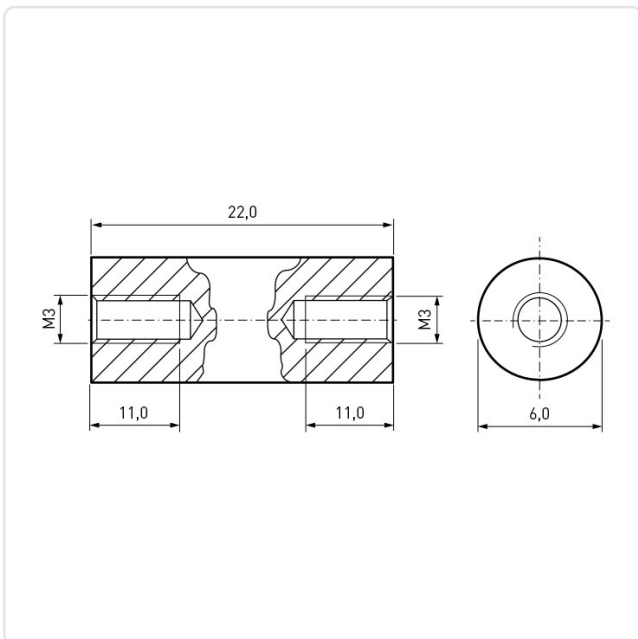
Article-No.: 005.33.722



AF / OD [mm]: 6  
 Color: White  
 Flammability Class: UL94-HB  
 Length [mm]: 22  
 Material: POM - Polyoxymethylene  
 Material Group: Plastic  
 Profile: Round  
 Thread 1 Length [mm]: 10  
 Thread 1 Size: M3  
 Thread 2 Length [mm]: 10  
 Thread 2 Size: M3  
 Weight: 0.47g  
 Conformities:



Image may be similar



You can find all information on the web on our article detail page

[Standoff POM White F/F Ø6x22 | Thread M3x10 / M3x10](#)

Would you like individual advice?

We look forward to your email to [products@ettinger.de](mailto:products@ettinger.de).

Subject to change and errors.