

Article datasheet

Hexagon Head Screw ISO4017 M4x25 Steel 8.8 Zinc Plated

Article-No.: 001.13.481

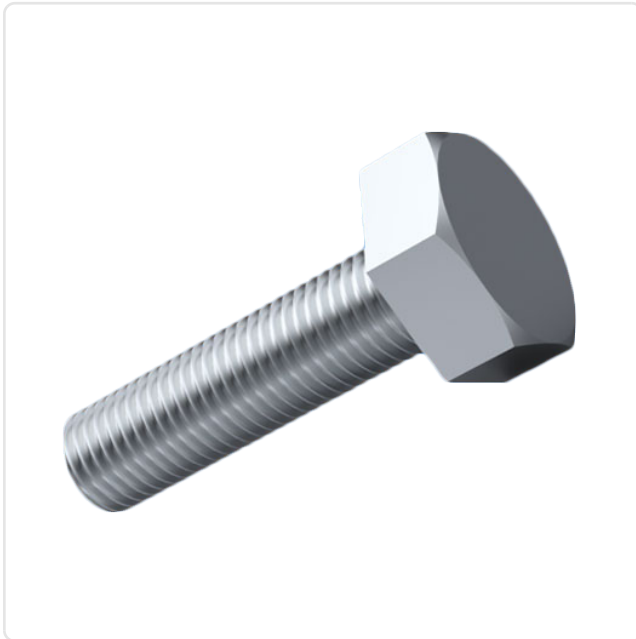


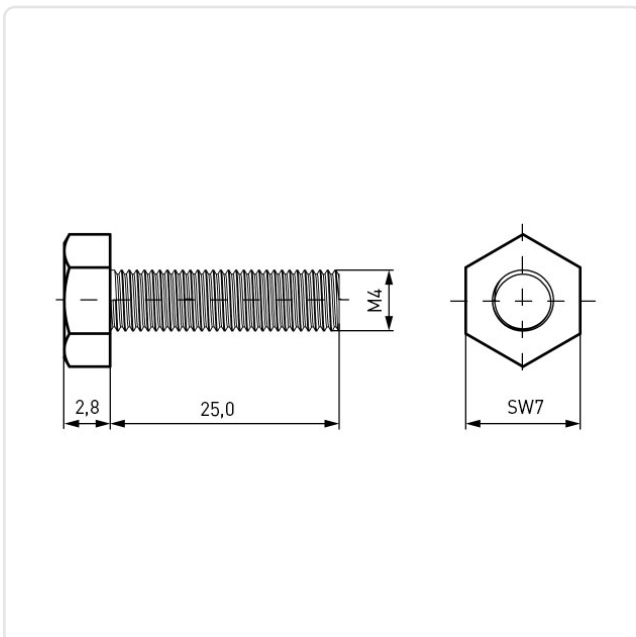
Image may be similar

Actuator Size:	Hexagon Hex7
DIN/ISO:	ISO4017
Drive Type:	Hexagon
Finish:	Galvanized, Blue, 5 µm, A2K
Head Diameter [mm]:	7
Head Height [mm]:	2.8
Head Shape:	Hexagon Head
Length [mm]:	25
Material:	Steel 8.8, lead-free
Material Group:	Steel
Thread Size:	M4
Weight:	2.7g
Conformities:	<div style="display: flex; gap: 10px;"> <div style="border: 1px solid green; padding: 2px; font-size: 8px;">SVHC COMPLIANT</div> <div style="border: 1px solid green; padding: 2px; font-size: 8px;">Reach COMPLIANT</div> <div style="border: 1px solid green; padding: 2px; font-size: 8px;">RoHS COMPLIANT</div> </div>



You can find all information on the web on our article detail page

[Hexagon Head Screw ISO4017 M4x25 Steel 8.8 Zinc Plated](#)



Would you like individual advice?

We look forward to your email to products@ettinger.de.

Subject to change and errors.