

Article datasheet

Contact Washer Ø5.1/10.2 x 1.0 Galvanized Steel

Article-No.: 003.20.051

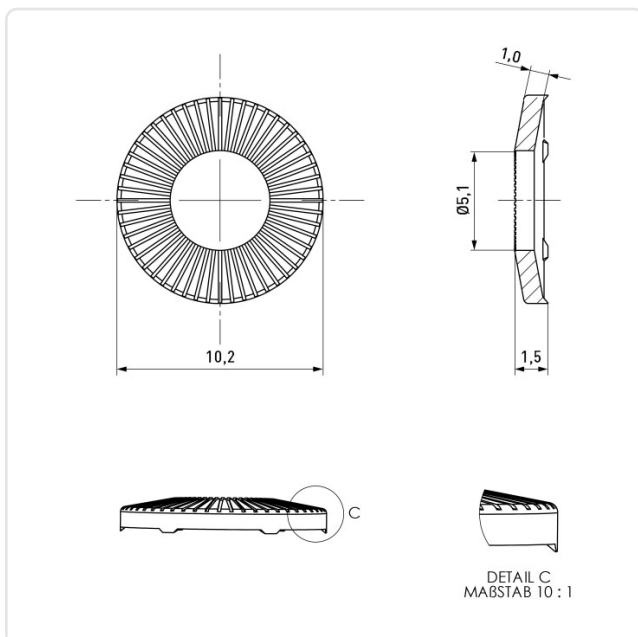


Image may be similar

Finish: Galvanized, 15–25 µm
 For Thread Size: M5
 Height [mm]: 1
 Inner Diameter [mm]: 5.1
 Material: Spring Steel, lead-free
 Outer Diameter [mm]: 10.2
 Weight: 0.45g
 Conformities:



You can find all information on the web on our article detail page
[Contact Washer Ø5.1/10.2 x 1.0 Galvanized Steel](#)



Would you like individual advice?

We look forward to your email to products@ettinger.de.

Subject to change and errors.