

Article datasheet

## Tapping Screw DIN7971C Ø2.9x9.5 Nickel-Plated Steel Slotted Pan Head

Article-No.: 001.27.246

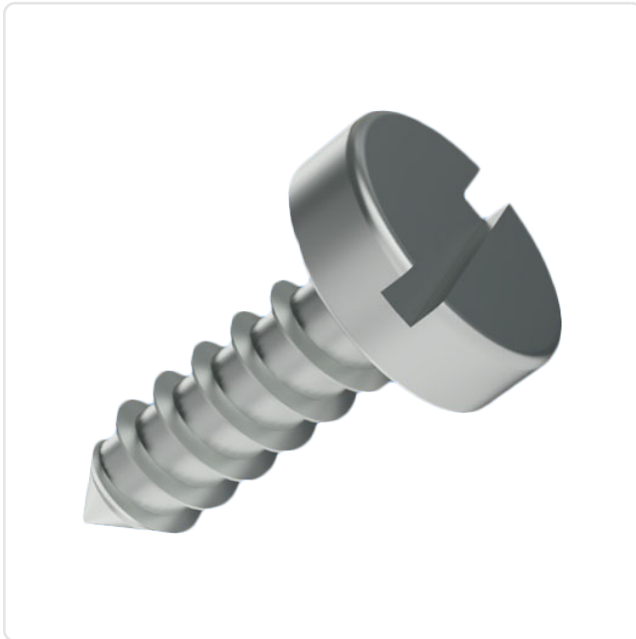


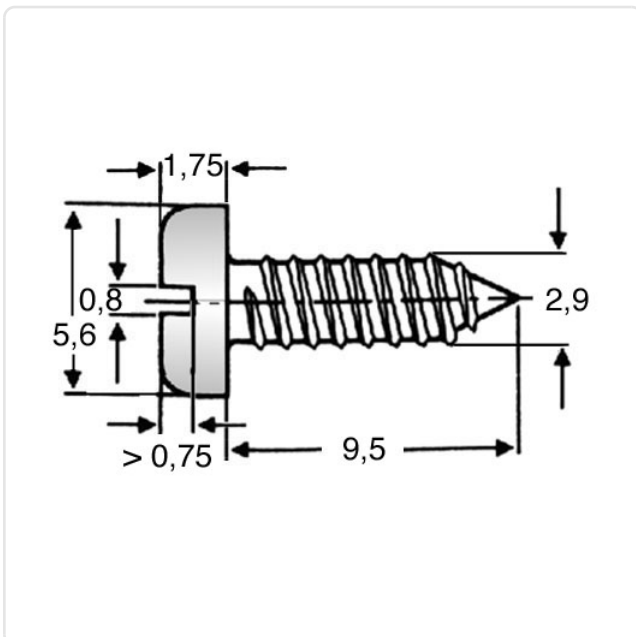
Image may be similar

DIN/ISO:	ISO1481
Drive Type:	Slotted
Finish:	Nickel-Plated, 3 µm, E1E
Head Diameter [mm]:	5.6
Head Height [mm]:	1.75
Head Shape:	Cheese Head
Length [mm]:	9.5
Material:	Steel
Material Group:	Stahl
Thread Diameter [mm]:	Ø 2.9
Weight:	0.49g
Conformities:	



You can find all information on the web on our article detail page

[Tapping Screw DIN7971C Ø2.9x9.5 Nickel-Plated Steel Slotted Pan Head](#)



Would you like individual advice?

We look forward to your email to [products@ettinger.de](mailto:products@ettinger.de).

Subject to change and errors.