

Article datasheet

Soldering tag $\varnothing 6.4 \times 12.0$ mm Brass silver-plated 0.3mm thick

Article-No.: 019.05.061



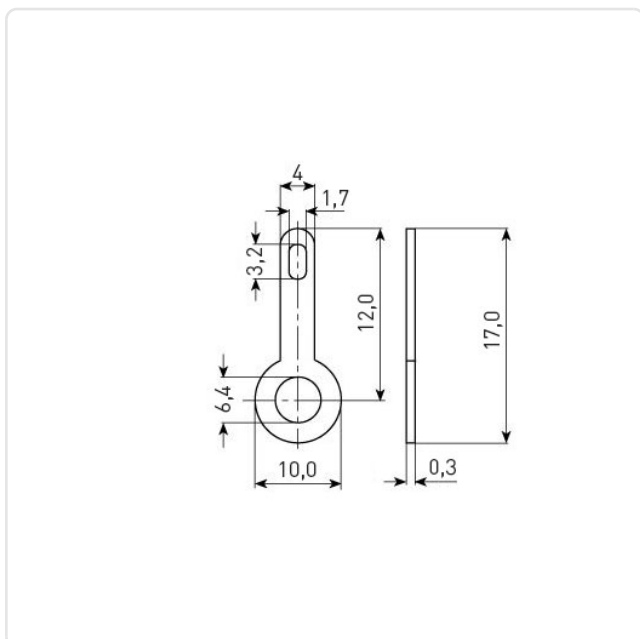
Image may be similar

Finish: Silver-Plated
 Inner Diameter [mm]: 6.4
 Length [mm]: 12
 Material: Brass lead-free
 Outer Diameter [mm]: 10
 Weight: 0.17g
 Conformities:



You can find all information on the web on our article detail page

[Soldering tag \$\varnothing 6.4 \times 12.0\$ mm Brass silver-plated 0.3mm thick](#)



Would you like individual advice?

We look forward to your email to products@ettinger.de.

Subject to change and errors.