

Article datasheet

PC Fuse Clip 5x20mm/max. 6A Brass tinned/pin 3.5mm

Article-No.: 015.06.005

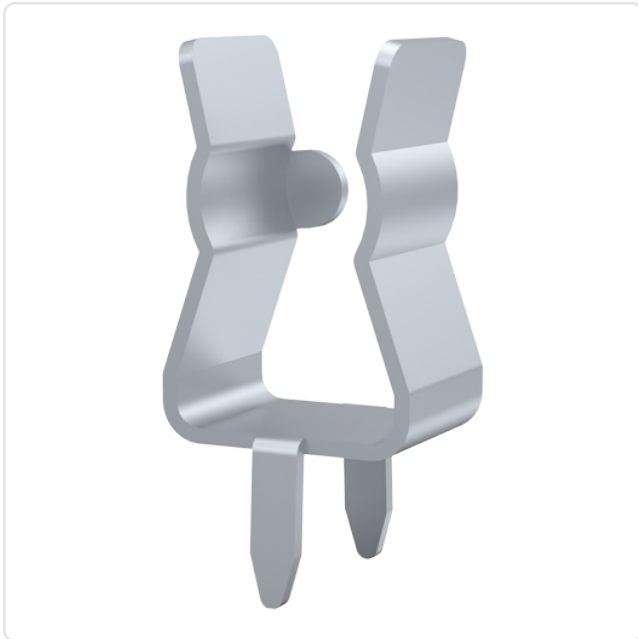


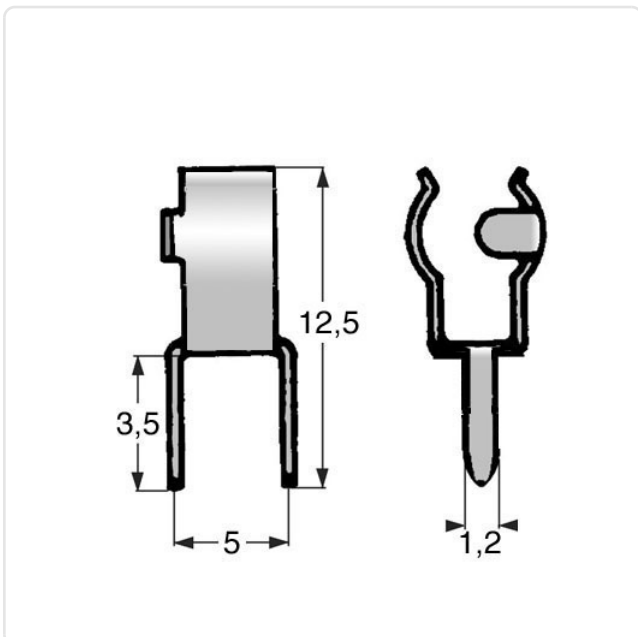
Image may be similar

Amperage [A]: 6
 Fuse Size [mm]: 5.0x20.0
 Material: Brass CW508L / CuZn37, lead-free
 Material Group: Brass
 Model: Clip Holder
 Mounting Hole [mm]: 1.3
 Protection Code: PC1
 Weight: 0.41g
 Conformities:



You can find all information on the web on our article detail page

[PC Fuse Clip 5x20mm/max. 6A Brass tinned/pin 3.5mm](#)



Would you like individual advice?

We look forward to your email to products@ettinger.de.

Subject to change and errors.