

Article datasheet

## Lock Washer $\text{\O}2.7/4.8 \times 0.45$ Galvanized Spring Steel

Article-No.: 003.04.021

Manufacturer: SCHNORR

Manufacturer article-no.: 450200

**SCHNORR**  
DISC SPRING ENGINEERING



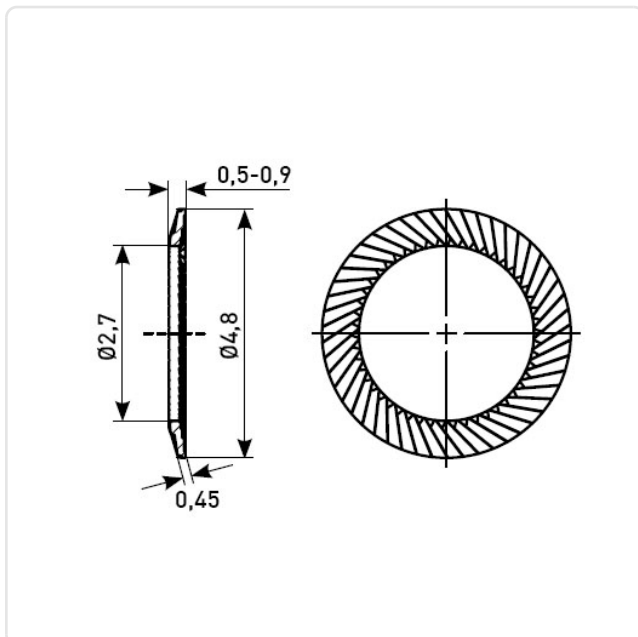
Image may be similar

Finish: Galvanized, Blue, 5  $\mu\text{m}$ , A2K  
 For Thread Size: M2.5  
 Height [mm]: 0.45  
 Inner Diameter [mm]: 2.7  
 Material: Spring Steel, lead-free  
 Material Group: Steel  
 Outer Diameter [mm]: 4.8  
 Weight: 0.04g  
 Conformities:



You can find all information on the web on our article detail page

[Lock Washer  \$\text{\O}2.7/4.8 \times 0.45\$  Galvanized Spring Steel](#)



Would you like individual advice?

We look forward to your email to [products@ettinger.de](mailto:products@ettinger.de).

Subject to change and errors.