

Article datasheet

## O-Ring for M25 Perbunan

Article-No.: 014.30.241

Manufacturer: LAPP

Manufacturer article-no.: 53102030

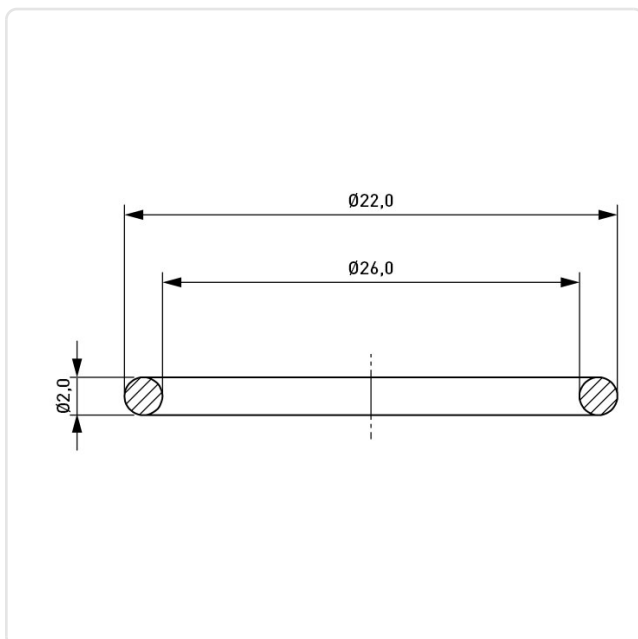


Image may be similar

Color: Black  
 Height [mm]: 2  
 Material: NBR - Nitrile Butadiene Rubber  
 Material Group: Plastic  
 Model: O-Ring  
 Thread Size: M25  
 Weight: 0.33g  
 Conformities:



You can find all information on the web on our article detail page [O-Ring for M25 Perbunan](#)



Would you like individual advice?

We look forward to your email to [products@ettinger.de](mailto:products@ettinger.de).

Subject to change and errors.