

Article datasheet

Flat Tie Holder 2.5-3.6mm hole Ø7.9mm Polyamide 6.6 natural UL94-V2 E70062

Article-No.: 072.79.105



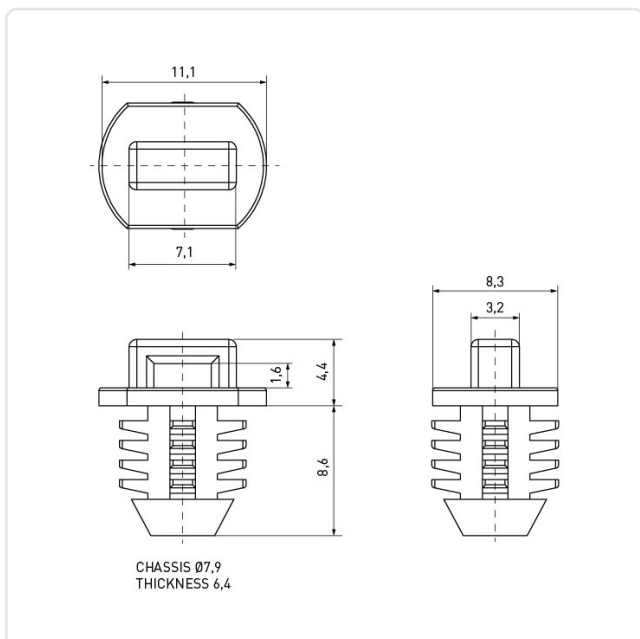
Image may be similar

Cable Tie Width max. [mm]: 3.6
 Color: Natural
 Flammability Class: UL94-V2
 Height [mm]: 13.1
 Length [mm]: 8.7
 Material: PA 6.6
 Material Group: Plastic
 Model: Plug-In Foot
 Width [mm]: 11.1
 Weight: 0.39g
 Conformities:



You can find all information on the web on our article detail page

[Flat Tie Holder 2.5-3.6mm hole Ø7.9mm Polyamide 6.6 natural UL94-V2 E70062](#)



Would you like individual advice?

We look forward to your email to products@ettinger.de.

Subject to change and errors.