

Article datasheet

IEC Power Inlet/Filter 6A/2x 5x20mm Snap-In Mounting

Article-No.: 044.51.355



Image may be similar

Color: Black
 Connections: 6.3x0.8
 Model: Plug, Snap-In Mounting
 Panel Thickness [mm]: 0
 Weight: 78g
 Conformities:



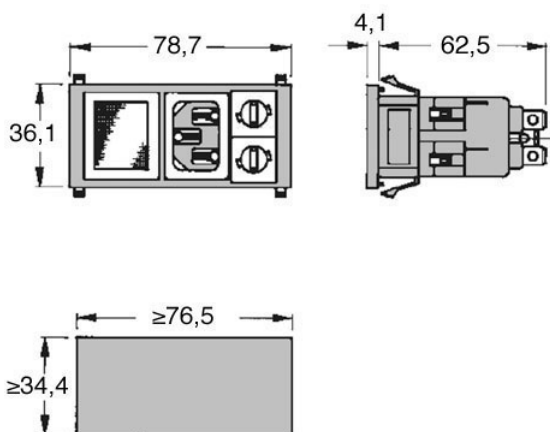
You can find all information on the web on our article detail page

[IEC Power Inlet/Filter 6A/2x 5x20mm Snap-In Mounting](#)

Would you like individual advice?

We look forward to your email to products@ettinger.de.

Subject to change and errors.



Chassisdicke 1,0; 1,5; 2,0; 3,0 mm