

Article datasheet

Cable Tie 2.6x150mm white PA 6.6 natural UL94-V2 bundle Ø40mm

Article-No.: 072.26.151

Manufacturer: SES-Sterling

Manufacturer article-no.: 0186 0028 001



Image may be similar

Bundle Diameter [mm]: 30,0-40,0

Color: White

Flammability Class: UL94-V2

Length [mm]: 150

Material: PA 6.6

Material Group: Plastic

Width [mm]: 2.6

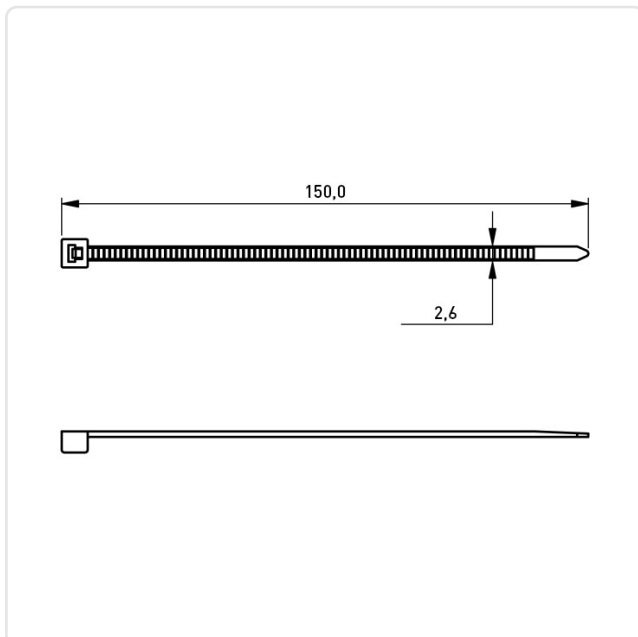
Weight: 0.4g

Conformities:



You can find all information on the web on our article detail page

[Cable Tie 2.6x150mm white PA 6.6 natural UL94-V2 bundle Ø40mm](#)



Would you like individual advice?

We look forward to your email to products@ettinger.de.

Subject to change and errors.