

Article datasheet

SEMS Screw ISO14583 TX Z4 M2.5x5 Galvanized Steel 8.8 Spring Lock Washer

Article-No.: 081.55.212

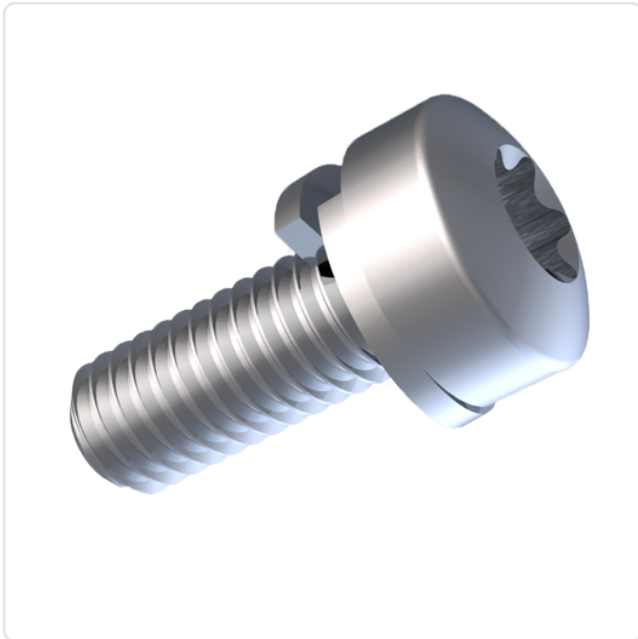
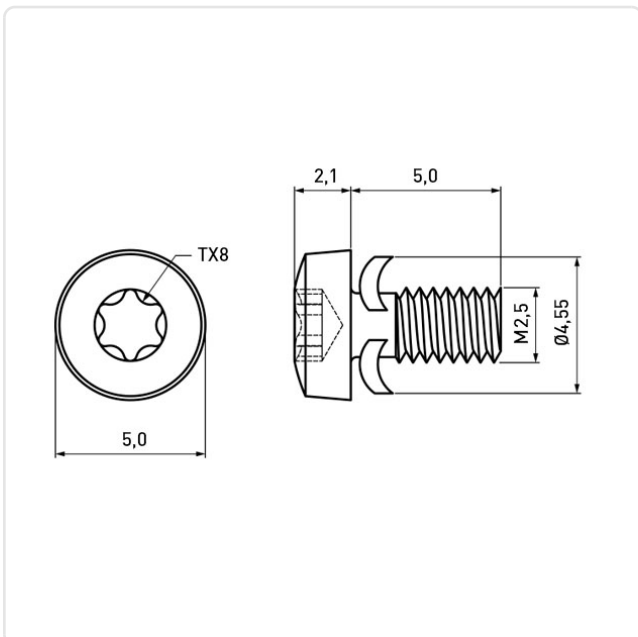


Image may be similar

Actuator Size:	Torx T8
Combination:	Spring Lock Washer DIN6905
DIN/ISO:	ISO14583
Drive Type:	TORX
Finish:	Galvanized, Blue, 5 µm, A2K
Head Diameter [mm]:	5
Head Height [mm]:	2.1
Head Shape:	Pan Head
Length [mm]:	5
Material:	Steel 8.8, lead-free
Material Group:	Steel
Thread Size:	M2.5
Weight:	0.4g
Conformities:	



You can find all information on the web on our article detail page

[SEMS Screw ISO14583 TX Z4 M2.5x5 Galvanized Steel 8.8 Spring Lock Washer](#)

Would you like individual advice?

We look forward to your email to products@ettinger.de.

Subject to change and errors.