

Article datasheet

## Button Head Screw ISO7380-1 M3x8 Steel 8.8 Zinc Plated Hexalobular

Article-No.: 001.53.331

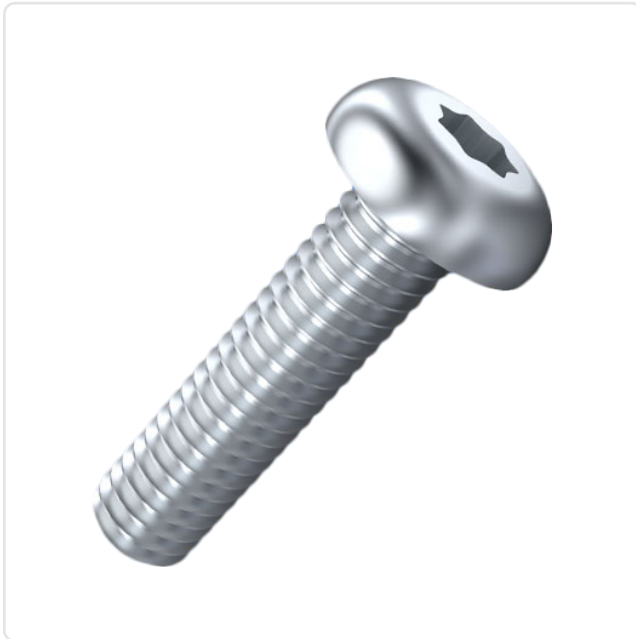
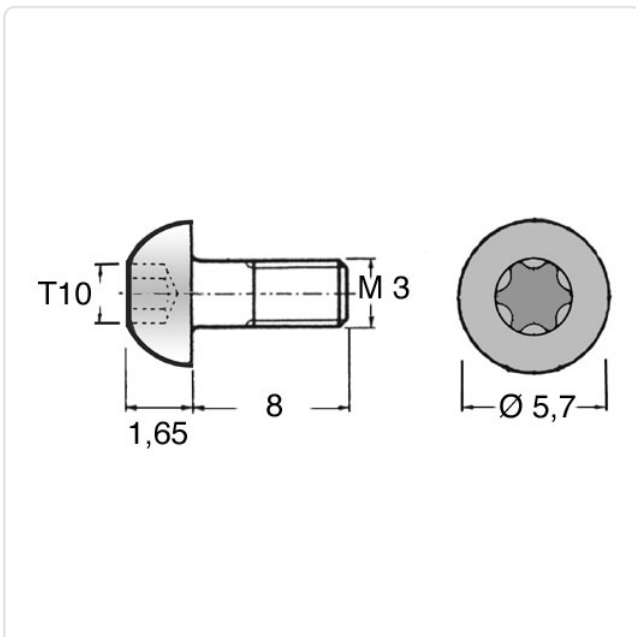


Image may be similar

Actuator Size:	Torx T10
DIN/ISO:	ISO7380-1
Drive Type:	TORX
Finish:	Galvanized, Blue, 5 µm, A2K
Head Diameter [mm]:	5.7
Head Height [mm]:	1.65
Head Shape:	Button Head
Length [mm]:	8
Material:	8.8
Material Group:	NULL
Thread Size:	M3
Weight:	0.53g
Conformities:	



You can find all information on the web on our article detail page

[Button Head Screw ISO7380-1 M3x8 Steel 8.8 Zinc Plated Hexalobular](#)

Would you like individual advice?

We look forward to your email to [products@ettinger.de](mailto:products@ettinger.de).

Subject to change and errors.