

Article datasheet

Solder Terminal Lug DIN 41496 2x9A1 Brass silver-plated

Article-No.: 019.05.010

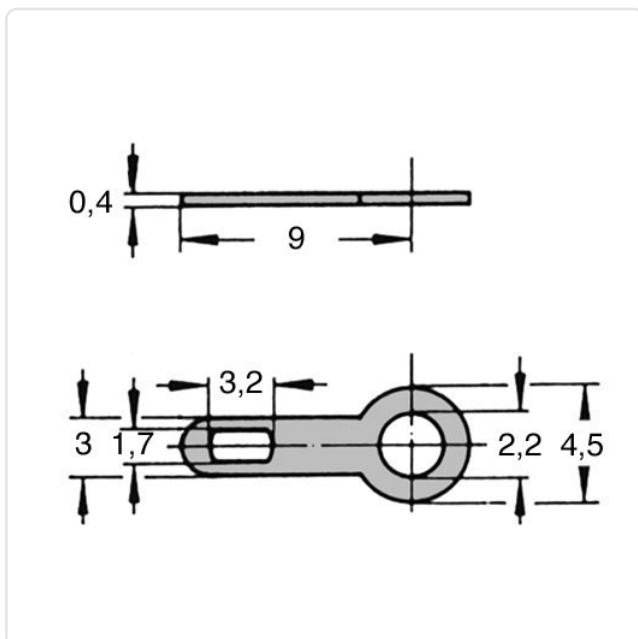


Image may be similar

DIN/ISO:	DIN41496
Finish:	Silver-Plated
Inner Diameter [mm]:	2.2
Length [mm]:	9
Material:	Brass lead-free
Outer Diameter [mm]:	4.5
Weight:	0.09g
Conformities:	<div style="display: flex; gap: 10px;"> <div style="border: 1px solid green; padding: 2px; font-size: 8px; color: green;">Reach COMPLIANT</div> <div style="border: 1px solid green; padding: 2px; font-size: 8px; color: green;">RoHS COMPLIANT</div> <div style="border: 1px solid green; padding: 2px; font-size: 8px; color: green;">SVHC COMPLIANT</div> </div>



You can find all information on the web on our article detail page
[Solder Terminal Lug DIN 41496 2x9A1 Brass silver-plated](#)



Would you like individual advice?

We look forward to your email to products@ettinger.de.

Subject to change and errors.