

Article datasheet

Blade Terminal 6.3x0.8 | 14.0 Press-Fit Tin-Plated Steel

Article-No.: 019.68.665



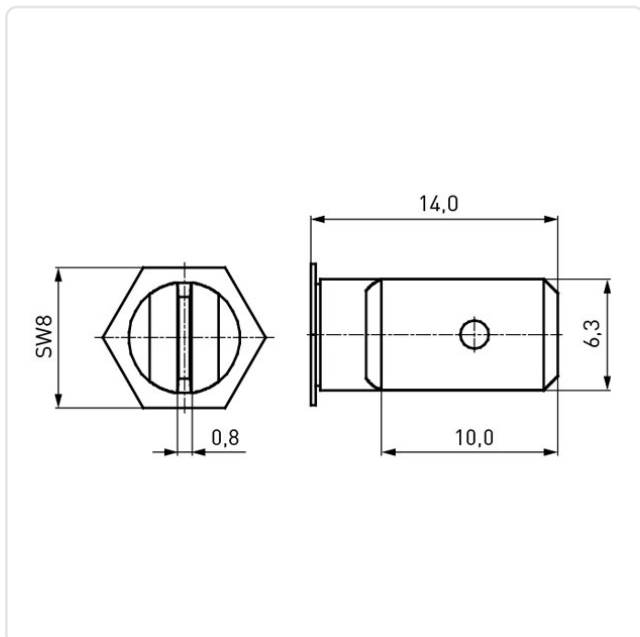
Image may be similar

Bending Angle [°]:	0
Finish:	Tin-Plated
Material:	Steel
Material Group:	NULL
Mounting Hole [mm]:	6.4
Panel Thickness [mm]:	0,8
Plug-In Length [mm]:	10
Size [mm]:	6.3x0.8
Tabs:	1
Weight:	1.13g
Conformities:	



You can find all information on the web on our article detail page

[Blade Terminal 6.3x0.8 | 14.0 Press-Fit Tin-Plated Steel](#)



Would you like individual advice?

We look forward to your email to products@ettinger.de.

Subject to change and errors.