

Article datasheet

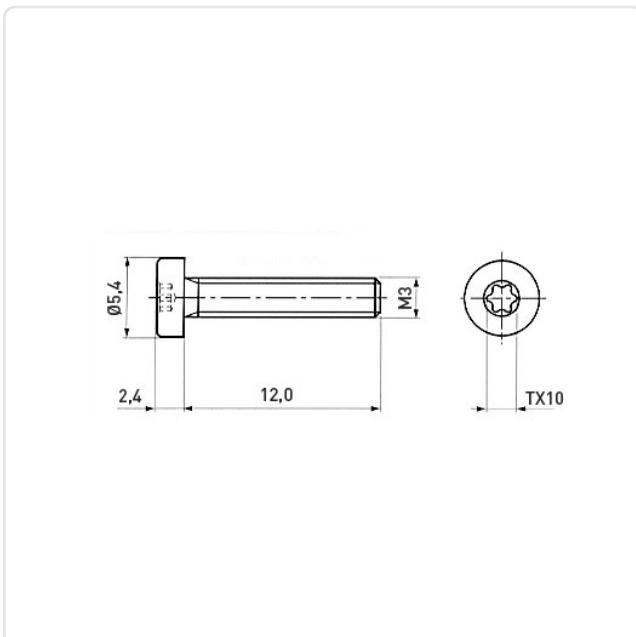
Socket Head Screw ISO14580 M3x12 Steel 8.8 Zinc Plated Hexalobular

Article-No.: 001.63.351



Image may be similar

Actuator Size:	Torx T10
DIN/ISO:	ISO14580
Drive Type:	TORX
Finish:	Galvanized, Blue, 5 µm, A2K
Head Diameter [mm]:	5.5
Head Height [mm]:	2.4
Head Shape:	Flat Cheese Head
Length [mm]:	12
Material:	Steel 8.8
Material Group:	Stahl
Thread Size:	M3
Weight:	0.87g
Conformities:	



You can find all information on the web on our article detail page

[Socket Head Screw ISO14580 M3x12 Steel 8.8 Zinc Plated Hexalobular](#)

Would you like individual advice?

We look forward to your email to products@ettinger.de.

Subject to change and errors.