

Article datasheet

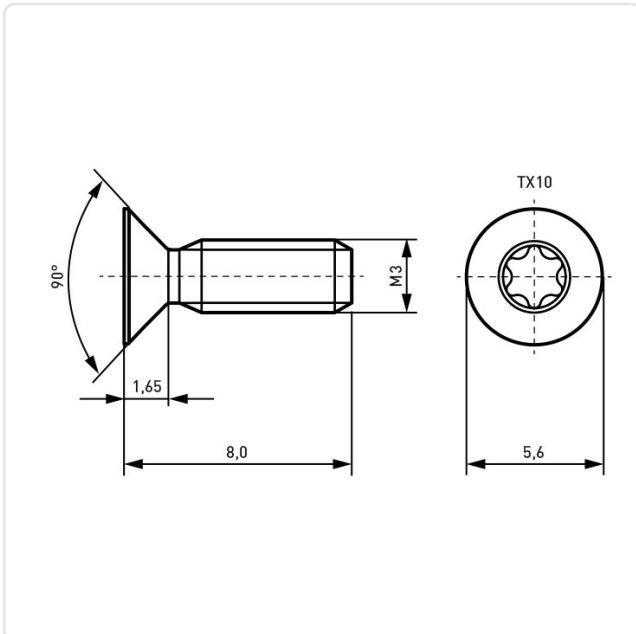
## Countersunk Screw ISO14581 M3x8 Black Galv. Steel 8.8 Torx

Article-No.: 001.55.330



Image may be similar

|                     |                              |
|---------------------|------------------------------|
| Actuator Size:      | Torx T10                     |
| DIN/ISO:            | ISO7046                      |
| Drive Type:         | TORX                         |
| Finish:             | Galvanized, Black, 5 µm, A2R |
| Head Diameter [mm]: | 5.6                          |
| Head Height [mm]:   | 1.65                         |
| Head Shape:         | Countersunk Head             |
| Length [mm]:        | 8                            |
| Material:           | Steel 8.8                    |
| Material Group:     | Steel                        |
| Thread Size:        | M3                           |
| Weight:             | 0.45g                        |
| Conformities:       |                              |



You can find all information on the web on our article detail page

[Countersunk Screw ISO14581 M3x8 Black Galv. Steel 8.8 Torx](#)

Would you like individual advice?

We look forward to your email to [products@ettinger.de](mailto:products@ettinger.de).

Subject to change and errors.