

Article datasheet

## Insulation sleeve $\varnothing 5.2/7.9 \times 3.5-1.5$ Polyamid 6 natural

Article-No.: 003.18.052

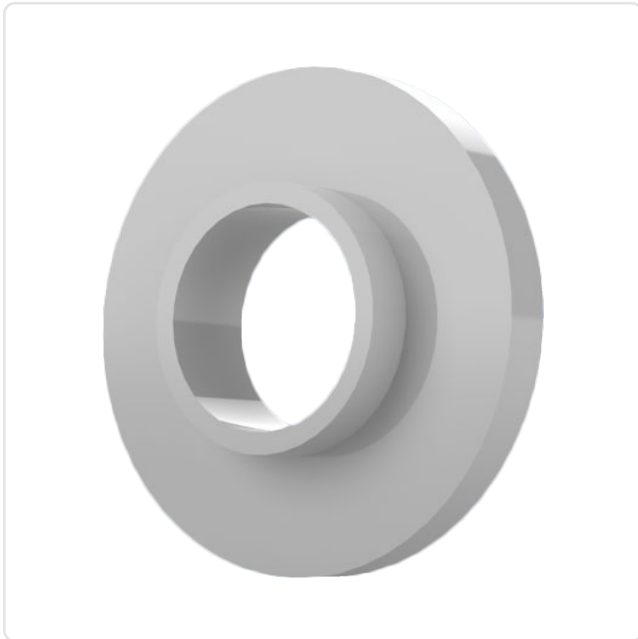
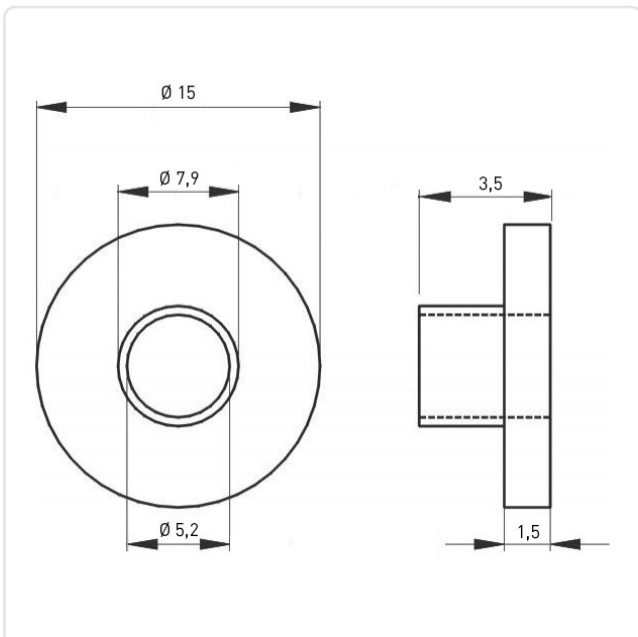


Image may be similar

Color:	Natural
Flammability Class:	UL94-V2
Height [mm]:	3.5
Inner Diameter [mm]:	5.2
Lug Diameter [mm]:	7.9
Material:	PA 6.0
Material Group:	Plastic
Model:	With Low Lug
Outer Diameter [mm]:	15
Weight:	0.32g
Conformities:	



You can find all information on the web on our article detail page  
[Insulation sleeve  \$\varnothing 5.2/7.9 \times 3.5-1.5\$  Polyamid 6 natural](#)



Would you like individual advice?

We look forward to your email to [products@ettinger.de](mailto:products@ettinger.de).

Subject to change and errors.