

Article datasheet

Soldering tag 6.4x20.0mm Brass tinned

Article-No.: 019.05.065



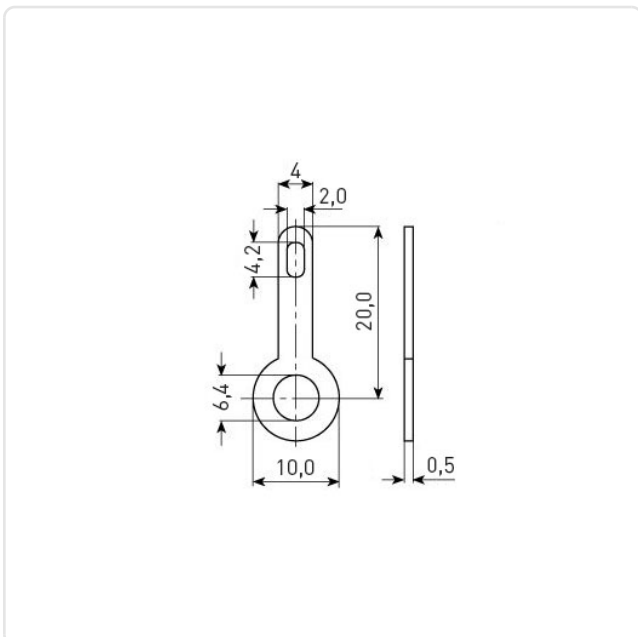
Image may be similar

Finish: Tin-Plated
Inner Diameter [mm]: 6.4
Length [mm]: 20
Material: Brass lead-free
Outer Diameter [mm]: 10
Weight: 0.4g
Conformities:



You can find all information on the web on our article detail page

[Soldering tag 6.4x20.0mm Brass tinned](#)



Would you like individual advice?

We look forward to your email to products@ettinger.de.

Subject to change and errors.