

Article datasheet

## Standoff Polyamide 6.0 Russet F/F AF8x20 | Thread M4 Full-Length

Article-No.: 005.31.420

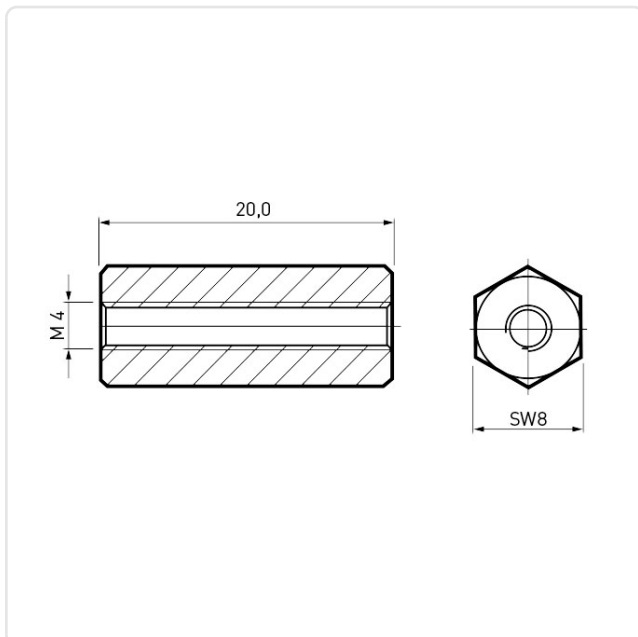


Image may be similar

AF / OD [mm]:	8
Color:	Russet
Flammability Class:	UL94-V0
Length [mm]:	20
Material:	PA 6.6 25% GF
Material Group:	Plastic
Profile:	Hexagonal
Thread 1 Length [mm]:	20
Thread 1 Size:	M4
Weight:	1.1g
Conformities:	<div style="display: flex; justify-content: space-around; align-items: center;"> <div style="border: 1px solid black; padding: 2px; text-align: center;">SVHC COMPLIANT ✓</div> <div style="border: 1px solid black; padding: 2px; text-align: center;">Reach COMPLIANT ✓</div> <div style="border: 1px solid black; padding: 2px; text-align: center;">RoHS COMPLIANT ✓</div> </div>



You can find all information on the web on our article detail page [Standoff Polyamide 6.0 Russet F/F AF8x20 | Thread M4 Full-Length](#)



Would you like individual advice?

We look forward to your email to [products@ettinger.de](mailto:products@ettinger.de).

Subject to change and errors.