

Article datasheet

Standoff POM White F/F Ø6x8 | Thread M3 Full-Length

Article-No.: 005.33.708

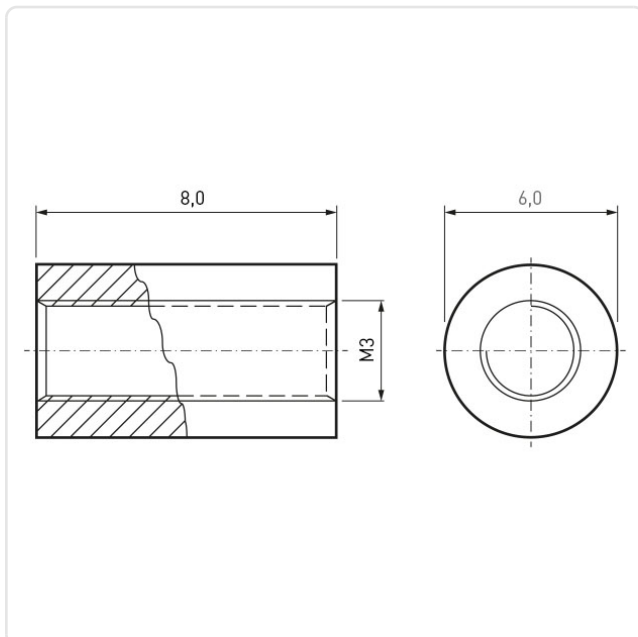


Image may be similar

AF / OD [mm]:	6
Color:	White
Flammability Class:	UL94-HB
Length [mm]:	8
Material:	POM - Polyoxymethylene
Material Group:	Plastic
Profile:	Round
Thread 1 Length [mm]:	8
Thread 1 Size:	M3
Weight:	0.29g
Conformities:	



You can find all information on the web on our article detail page

[Standoff POM White F/F Ø6x8 | Thread M3 Full-Length](#)

Would you like individual advice?

We look forward to your email to products@ettinger.de.

Subject to change and errors.