

Article datasheet

Battery Clamp for 1x "AA" Mignon Aluminium pure/clean

Article-No.: 015.89.128

Manufacturer: Keystone Electronics

Manufacturer article-no.: 91



Image may be similar

Battery Type: AA-Mignon

Finish: Plain

Material: Aluminum

Material Group: Aluminum

Width [mm]: 15.9

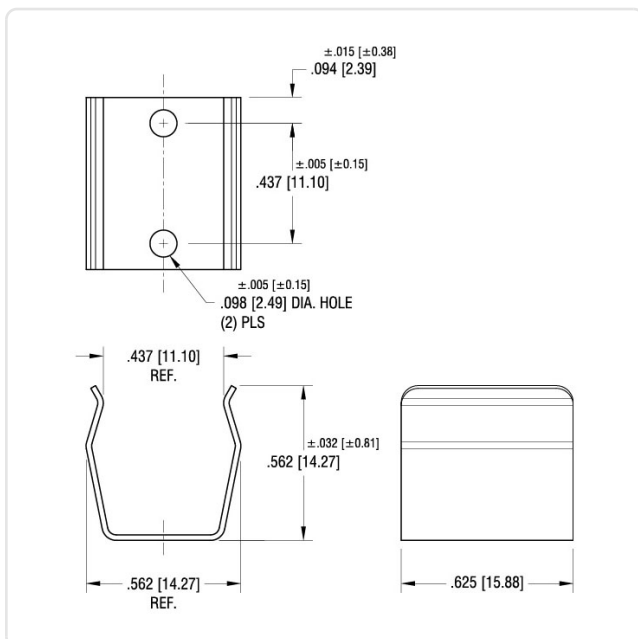
Weight: 0.86g

Conformities:



You can find all information on the web on our article detail page

[Battery Clamp for 1x "AA" Mignon Aluminium pure/clean](#)



Would you like individual advice?

We look forward to your email to products@ettinger.de.

Subject to change and errors.