

Article datasheet

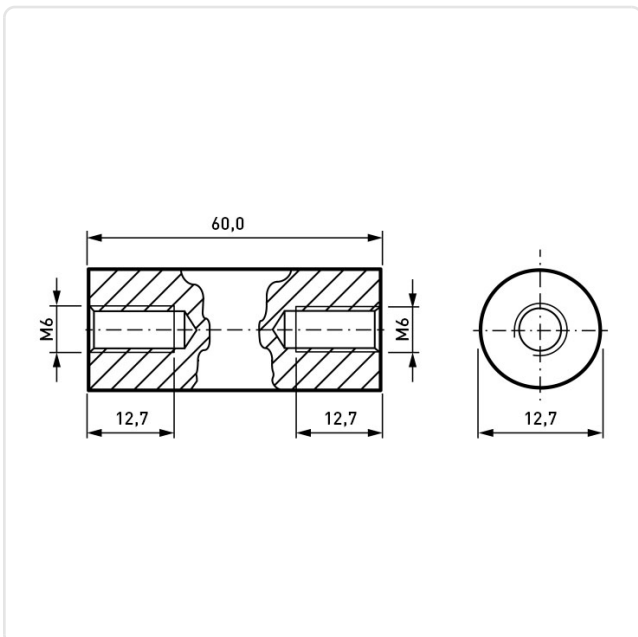
**Insulated Standoff PA-Brass F/F  $\varnothing$ 12.7x60 | Thread M6x12.7 / M6x12.7**

Article-No.: 005.48.660



Image may be similar

AF / OD [mm]: 12.7  
 Flammability Class: UL94-HB  
 Length [mm]: 60  
 Material: PA 6.6  
 Material Group: Plastic  
 Profile: Round  
 Thread 1 Length [mm]: 12.7  
 Thread 1 Size: M6  
 Thread 2 Length [mm]: 12.7  
 Thread 2 Size: M6  
 Thread Insert Material: Brass  
 Weight: 11.53g  
 Conformities:



You can find all information on the web on our article detail page

[Insulated Standoff PA-Brass F/F  \$\varnothing\$ 12.7x60 | Thread M6x12.7 / M6x12.7](#)

Would you like individual advice?

We look forward to your email to [products@ettinger.de](mailto:products@ettinger.de).

Subject to change and errors.