

Article datasheet

Tapping Screw DIN7981 Ø2.2x6.5 Galvanized Steel Cross Recess Pan Head

Article-No.: 001.27.024

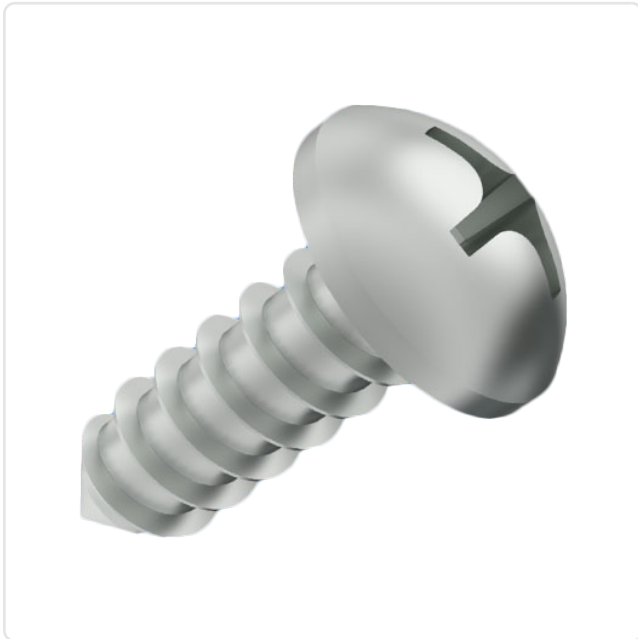
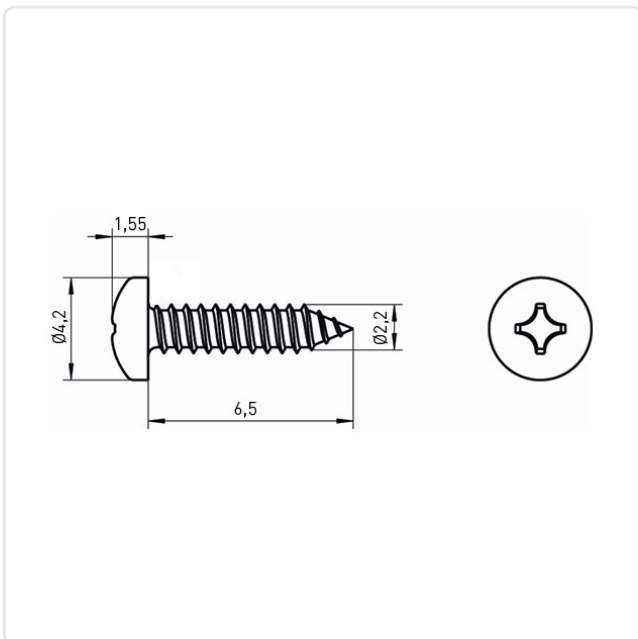


Image may be similar

Actuator Size:	Pozidriv PZ1
DIN/ISO:	ISO7049
Drive Type:	Cross Recess / Pozidriv-Z
Finish:	Galvanized, Blue, 5 µm, A2K
Head Diameter [mm]:	4.2
Head Height [mm]:	1.8
Head Shape:	Pan Head
Length [mm]:	6.5
Material:	Steel
Material Group:	Stahl
Thread Diameter [mm]:	Ø 2.2
Weight:	0.23g
Conformities:	



You can find all information on the web on our article detail page

[Tapping Screw DIN7981 Ø2.2x6.5 Galvanized Steel Cross Recess Pan Head](#)

Would you like individual advice?

We look forward to your email to products@ettinger.de.

Subject to change and errors.