

Article datasheet

## Self-Tapping Screw for Plastic 2.5x10 DP Galv. Q&T Steel Torx Pan Head w/ Flange

Article-No.: 001.94.246

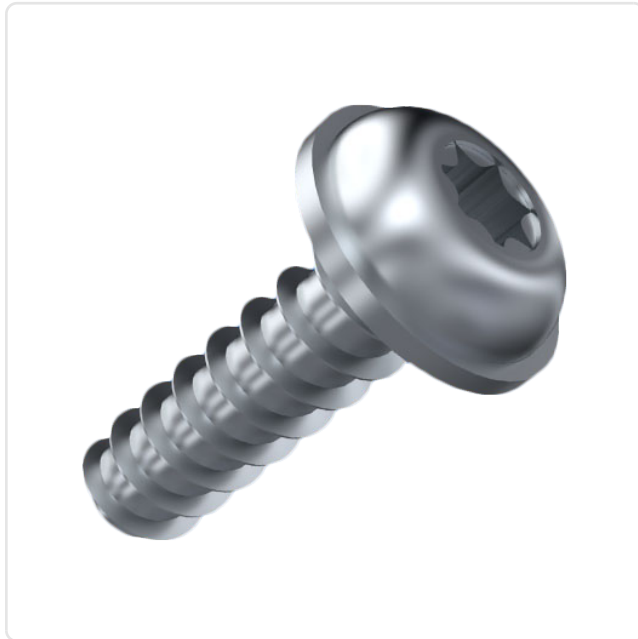
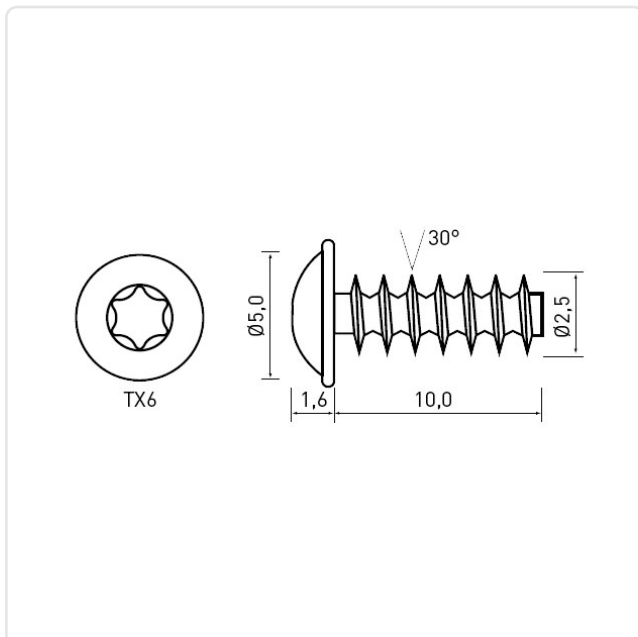


Image may be similar

Actuator Size:	Torx T6
Drive Type:	TORX
Finish:	Galvanized, Blue, 5 µm, A2K
Head Diameter [mm]:	5
Head Height [mm]:	1.6
Head Shape:	Button Head with Collar
Length [mm]:	10
Material:	Q&T Steel
Material Group:	Stahl
Thread Diameter [mm]:	Ø 2.5
Thread Type:	Delta PT Thread
Weight:	0.37g
Conformities:	



You can find all information on the web on our article detail page

[Self-Tapping Screw for Plastic 2.5x10 DP Galv. Q&T Steel Torx Pan Head w/ Flange](#)

Would you like individual advice?

We look forward to your email to [products@ettinger.de](mailto:products@ettinger.de).

Subject to change and errors.