

Article datasheet

## Spring Washer DIN137 A Ø3.2/6.0 x 0.4 Galvanized Spring Steel

Article-No.: 003.22.031



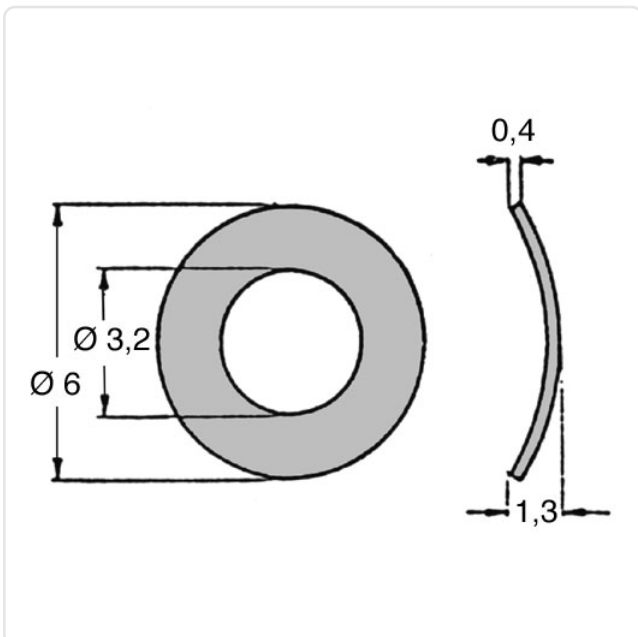
Image may be similar

DIN/ISO:	DIN137A
Finish:	Galvanized, Blue, 5 µm, A2K
For Thread Size:	M3
Height [mm]:	0.4
Inner Diameter [mm]:	3.2
Material:	Spring Steel
Material Group:	Steel
Outer Diameter [mm]:	6
Weight:	0.06g
Conformities:	<div style="display: flex; gap: 10px;"> <div style="border: 1px solid black; padding: 2px; text-align: center;">Reach COMPLIANT ✓</div> <div style="border: 1px solid black; padding: 2px; text-align: center;">RoHS COMPLIANT ✓</div> <div style="border: 1px solid black; padding: 2px; text-align: center;">SVHC COMPLIANT ✓</div> </div>



You can find all information on the web on our article detail page

[Spring Washer DIN137 A Ø3.2/6.0 x 0.4 Galvanized Spring Steel](#)



Would you like individual advice?

We look forward to your email to [products@ettinger.de](mailto:products@ettinger.de).

Subject to change and errors.