

Article datasheet

Locking Wire Saddle 11.1x 8.6mm Polyamid 6.6 natural UL94-V2 E70062

Article-No.: 072.78.226

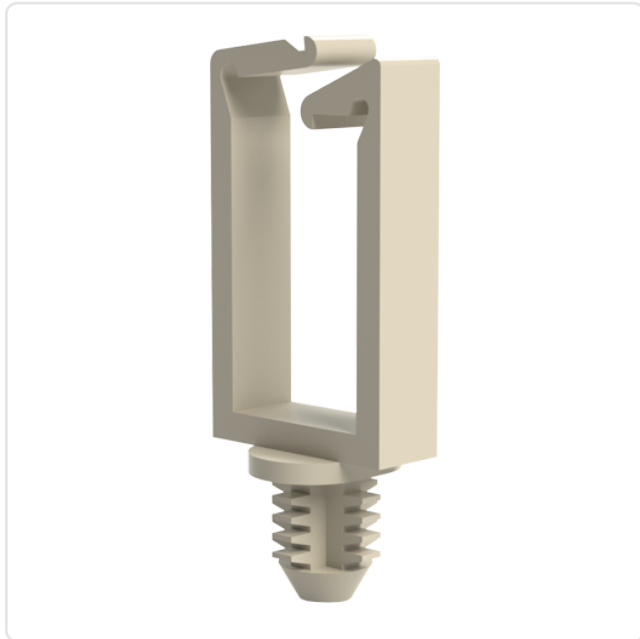


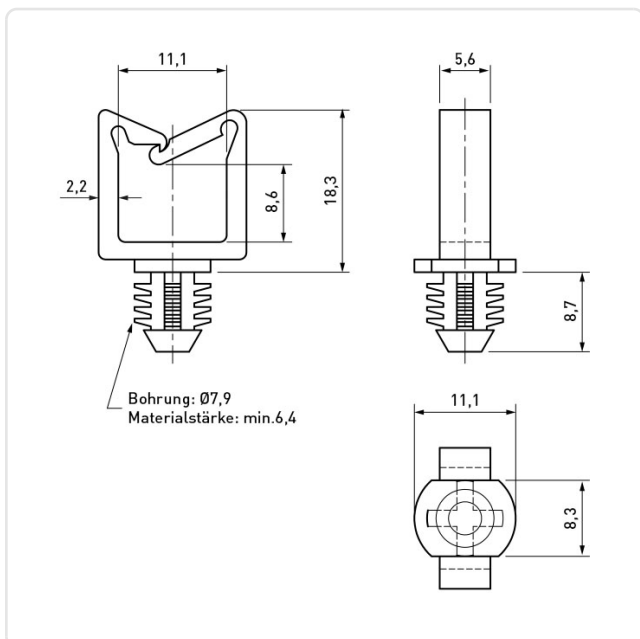
Image may be similar

Bundle Diameter [mm]: 5,0-10,0
 Color: Natural
 Height [mm]: 18
 Material: PA 6.6
 Material Group: Plastic
 Model: Fir Tree Base
 Mounting Hole [mm]: 7.9
 Panel Thickness [mm]: verriegeln
 Width [mm]: 15.5
 Weight: 1.03g
 Conformities:



You can find all information on the web on our article detail page

[Locking Wire Saddle 11.1x 8.6mm Polyamid 6.6 natural UL94-V2 E70062](#)



Would you like individual advice?

We look forward to your email to products@ettinger.de.

Subject to change and errors.