

Article datasheet

Fuse Holder-Panel Mount 5x20mm Polyester UL94-V0/10A 250V/PC2

Article-No.: 015.08.320



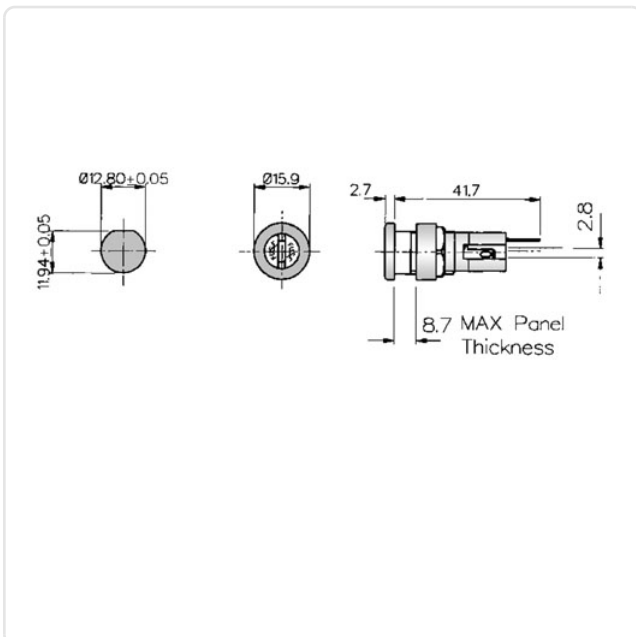
Image may be similar

Amperage [A]: 10
 Fuse Size [mm]: 5.0x20.0
 Material: PES - Polyester
 Material Group: Plastic
 Model: Fuse Holder
 Mounting Hole [mm]: 12.8
 Protection Code: IP40
 Weight: 7g
 Conformities:



You can find all information on the web on our article detail page

[Fuse Holder-Panel Mount 5x20mm Polyester UL94-V0/10A 250V/PC2](#)



Would you like individual advice?

We look forward to your email to products@ettinger.de.

Subject to change and errors.