

Article datasheet

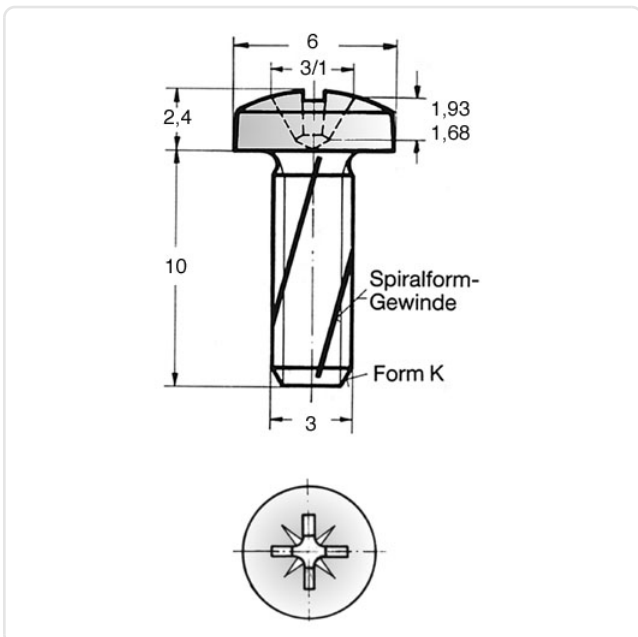
Thread Forming Screw DIN7500C M3x10 Galv. Steel Case Hardened Pozi Pan Head

Article-No.: 001.38.341



Image may be similar

| | |
|---------------------|-----------------------------|
| Actuator Size: | Pozidriv PZ1 |
| DIN/ISO: | DIN7500-C |
| Drive Type: | Cross Recess / Pozidriv-Z |
| Finish: | Galvanized, Blue, 5 µm, A2K |
| Head Diameter [mm]: | 6 |
| Head Height [mm]: | 2.4 |
| Head Shape: | Pan Head |
| Length [mm]: | 10 |
| Material: | Case-Hardened Steel |
| Material Group: | Steel |
| Thread Size: | M3 |
| Thread Type: | Metric |
| Weight: | 0.8g |
| Conformities: | |



You can find all information on the web on our article detail page

[Thread Forming Screw DIN7500C M3x10 Galv. Steel Case Hardened Pozi Pan Head](#)

Would you like individual advice?

We look forward to your email to products@ettinger.de.

Subject to change and errors.