

Article datasheet

## Snap Lock Pin $\varnothing 2.4/5.2 \times 10.5$ mm Polyamid 6.6, natural UL94-V2 E70062

Article-No.: 072.11.105

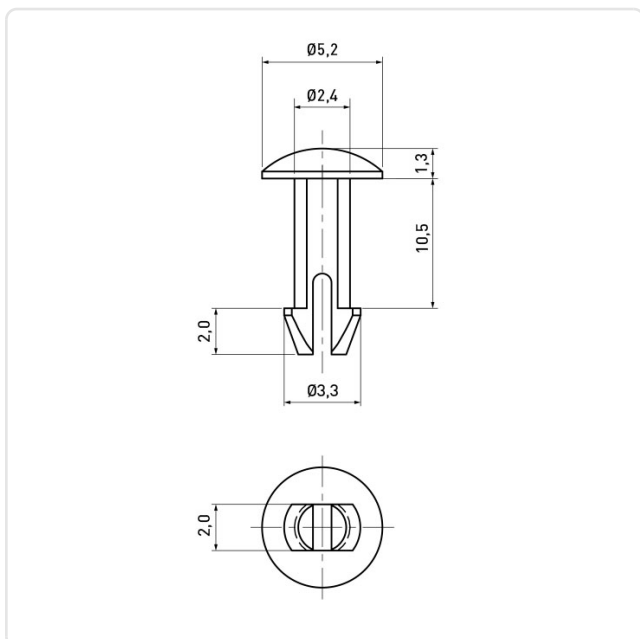


Image may be similar

Color: Natural  
 Flammability Class: UL94-V2  
 Head Diameter [mm]: 5.2  
 Material: PA 6.6  
 Material Group: Plastic  
 Mounting Hole [mm]: 2.4  
 Weight: 0.08g  
 Conformities:



You can find all information on the web on our article detail page  
[Snap Lock Pin  \$\varnothing 2.4/5.2 \times 10.5\$ mm Polyamid 6.6, natural UL94-V2 E70062](#)



Would you like individual advice?

We look forward to your email to [products@ettinger.de](mailto:products@ettinger.de).

Subject to change and errors.