

Article datasheet

## Push-In Foot Ø6.0x1.0 EPDM black

Article-No.: 017.53.060

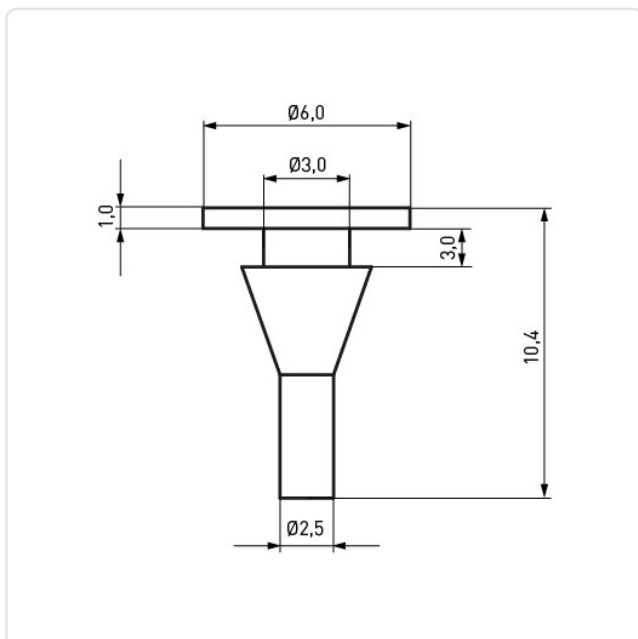


Image may be similar

Diameter [mm]:	6
Height [mm]:	1
Material:	EPDM - Ethylene Propylene Diene
Material Group:	Plastic
Panel Hole Ø [mm]:	2.6
Panel Thickness [mm]:	3
Weight:	0.1g
Conformities:	<div style="display: flex; gap: 10px;"> <div style="border: 1px solid black; padding: 2px; text-align: center;">SVHC COMPLIANT ✓</div> <div style="border: 1px solid black; padding: 2px; text-align: center;">Reach COMPLIANT ✓</div> <div style="border: 1px solid black; padding: 2px; text-align: center;">RoHS COMPLIANT ✓</div> </div>



You can find all information on the web on our article detail page  
[Push-In Foot Ø6.0x1.0 EPDM black](#)



Would you like individual advice?

We look forward to your email to [products@ettinger.de](mailto:products@ettinger.de).

Subject to change and errors.