

Article datasheet

Standoff Galvanized Steel F/F AF5.5x6 | Thread M3 Full-Length

Article-No.: 005.03.061



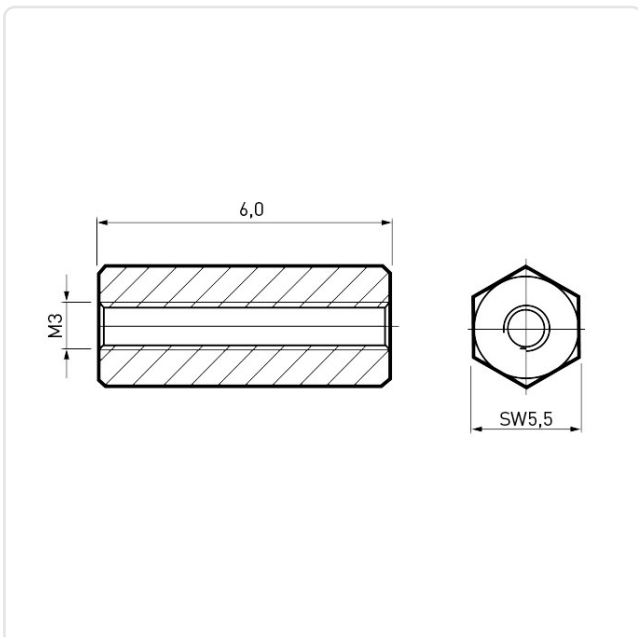
Image may be similar

AF / OD [mm]:	5.5
Finish:	Galvanized, Blue, 5 µm, A2K
Length [mm]:	6
Material:	Steel AISI 12L13 / 11SMnPb30
Material Group:	NULL
Profile:	Hexagonal
Thread 1 Length [mm]:	6
Thread 1 Size:	M3
Weight:	0.9g
Conformities:	<div style="display: flex; align-items: center; gap: 10px;"> <div style="border: 1px solid gray; padding: 2px; text-align: center;">Reach COMPLIANT ✓</div> <div style="border: 1px solid gray; padding: 2px; text-align: center;">RoHS COMPLIANT ✓</div> <div style="border: 1px solid gray; padding: 2px; text-align: center;">SVHC NOT COMPLIANT ✗</div> </div>



You can find all information on the web on our article detail page

[Standoff Galvanized Steel F/F AF5.5x6 | Thread M3 Full-Length](#)



Would you like individual advice?

We look forward to your email to products@ettinger.de.

Subject to change and errors.