

Article datasheet

THM Test Point Ø1.8 yellow Phosphor Bronze Silver-Plated

Article-No.: 013.08.534

Manufacturer: Keystone Electronics

Manufacturer article-no.: 5014



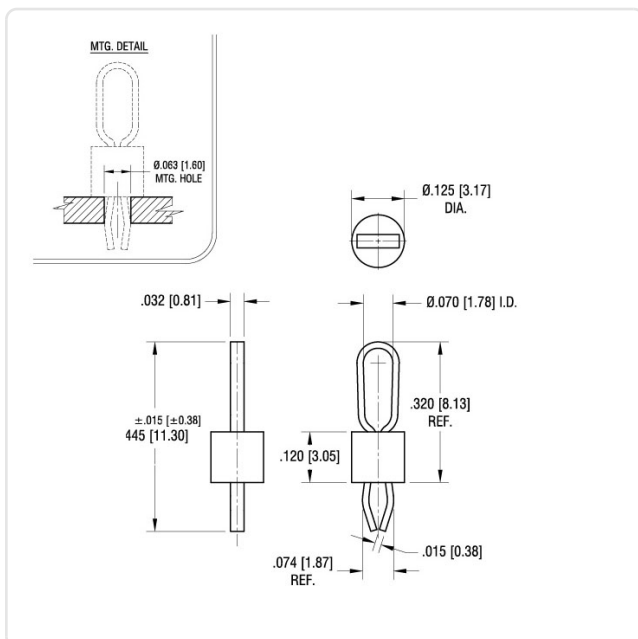
Image may be similar

Color: Yellow
 Diameter [mm]: 1.8
 Finish: Silver-Plated
 Height [mm]: 8.1
 Insulation: Polyamide
 Material: Phosphor Bronze
 Material Group: Phosphor Bronze
 PCB Hole Ø [mm]: 1.6
 Conformities:



You can find all information on the web on our article detail page

[THM Test Point Ø1.8 yellow Phosphor Bronze Silver-Plated](#)



Would you like individual advice?

We look forward to your email to products@ettinger.de.

Subject to change and errors.