

Article datasheet

## Blade Terminal 2.8x0.5 | 12.2 Tin-Plated Brass

Article-No.: 019.25.072



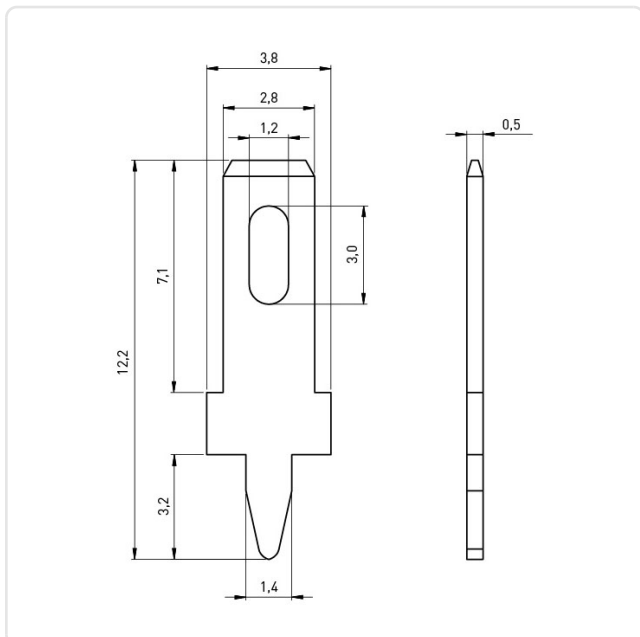
Image may be similar

Bending Angle [°]:	0
Finish:	Tin-Plated
Length [mm]:	12.2
Material:	Brass lead-free
PCB Hole Ø [mm]:	1.3
Plug-In Length [mm]:	7.1
Size [mm]:	2.8x0.5
Tabs:	1
Weight:	0.11g
Conformities:	<div style="display: flex; gap: 10px;"> <div style="border: 1px solid green; padding: 2px; font-size: 8px;">Reach COMPLIANT</div> <div style="border: 1px solid green; padding: 2px; font-size: 8px;">RoHS COMPLIANT</div> <div style="border: 1px solid green; padding: 2px; font-size: 8px;">SVHC COMPLIANT</div> </div>



You can find all information on the web on our article detail page

[Blade Terminal 2.8x0.5 | 12.2 Tin-Plated Brass](#)



Would you like individual advice?

We look forward to your email to [products@ettinger.de](mailto:products@ettinger.de).

Subject to change and errors.