

Article datasheet

## SEMS Screw ISO14583 TX Z4-1 M2.5x8 Galv. ST 8.8 Washer + Spring Lock Washer

Article-No.: 081.55.236

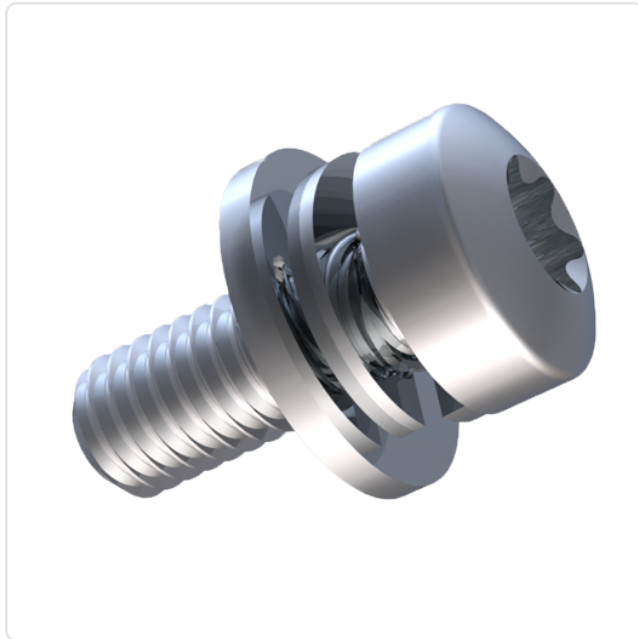
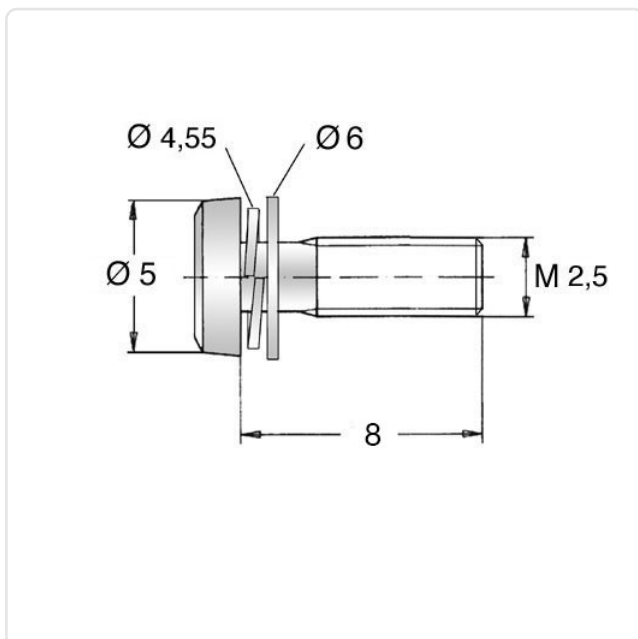


Image may be similar

Actuator Size:	Torx T8
Combination:	Washer DIN6902-1 and Spring Lock Washer DIN6905
DIN/ISO:	ISO14583
Drive Type:	TORX
Finish:	Galvanized, Blue, 5 µm, A2K
Head Diameter [mm]:	5
Head Height [mm]:	2.1
Head Shape:	Pan Head
Length [mm]:	8
Material:	Steel 8.8, lead-free
Material Group:	Steel
Thread Size:	M2.5
Weight:	0.6g
Conformities:	<div style="display: flex; gap: 10px;"> <div style="border: 1px solid green; padding: 2px; font-size: 8px;">Reach COMPLIANT</div> <div style="border: 1px solid green; padding: 2px; font-size: 8px;">RoHS COMPLIANT</div> <div style="border: 1px solid green; padding: 2px; font-size: 8px;">SVHC COMPLIANT</div> </div>



You can find all information on the web on our article detail page

[SEMS Screw ISO14583 TX Z4-1 M2.5x8 Galv. ST 8.8 Washer + Spring Lock Washer](#)

Would you like individual advice?

We look forward to your email to [products@ettinger.de](mailto:products@ettinger.de).

Subject to change and errors.