

Article datasheet

Straight-Thru Strain Relief Bushing plate thickness 1-4mm grey

Article-No.: 014.05.138

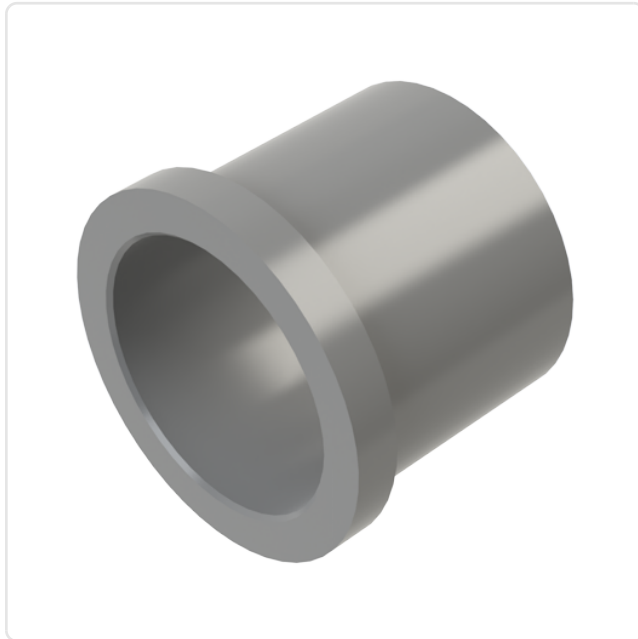


Image may be similar

Color: Gray
 Material: PE - Polyethylene
 Material Group: Plastic
 Panel Thickness [mm]: 0
 Weight: 0.61g
 Conformities:



You can find all information on the web on our article detail page

[Straight-Thru Strain Relief Bushing plate thickness 1-4mm grey](#)

Would you like individual advice?

We look forward to your email to products@ettinger.de.

Subject to change and errors.

