

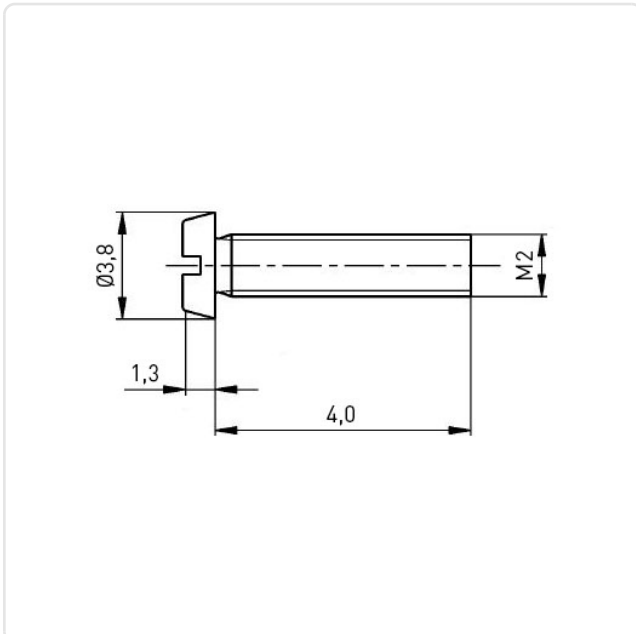
Article datasheet

**Cheese Head Screw ISO1207 M2x4 A2 Plain Stainless Steel Slotted**

Article-No.: 001.14.102



Image may be similar



DIN/ISO:	ISO1207
Drive Type:	Slotted
Finish:	Plain
Head Diameter [mm]:	3.8
Head Height [mm]:	1.3
Head Shape:	Cheese Head
Length [mm]:	4
Material:	Stainless Steel AISI 304 / A2
Material Group:	NULL
Thread Size:	M2
Weight:	0.16g
Conformities:	



You can find all information on the web on our article detail page

[Cheese Head Screw ISO1207 M2x4 A2 Plain Stainless Steel Slotted](#)

Would you like individual advice?

We look forward to your email to [products@ettinger.de](mailto:products@ettinger.de).

Subject to change and errors.