

Article datasheet

## Tapping Screw DIN7982C Ø2.2x6.5 Nickel-Plated ST Cross Recess CSK Head

Article-No.: 001.25.023

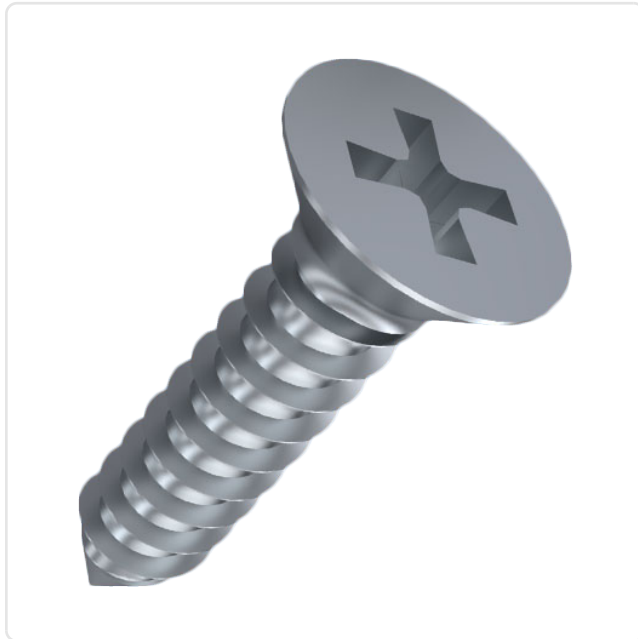
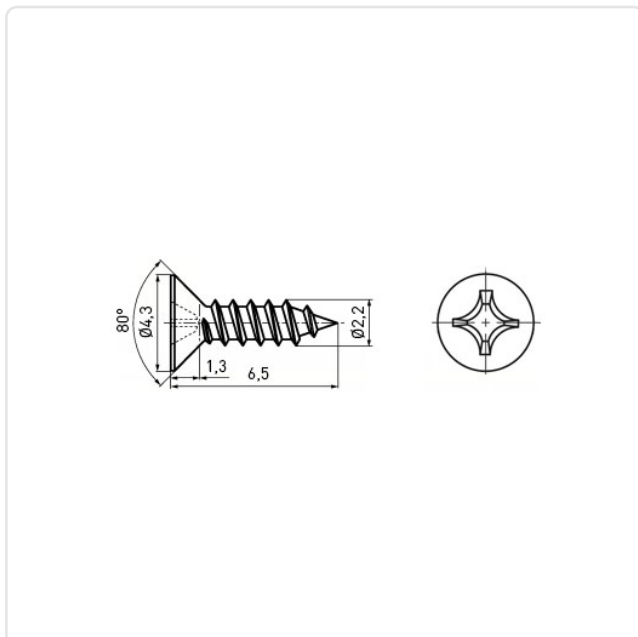


Image may be similar

Actuator Size:	Phillips PH1
DIN/ISO:	ISO7050
Drive Type:	Cross Recess / Phillips-H
Finish:	Nickel-Plated, 3 µm, E1E
Head Diameter [mm]:	4.3
Head Height [mm]:	1.3
Head Shape:	Countersunk Head
Length [mm]:	6.5
Material:	Steel lead-free
Material Group:	Steel
Thread Diameter [mm]:	Ø 2.2
Weight:	0.14g
Conformities:	



You can find all information on the web on our article detail page

[Tapping Screw DIN7982C Ø2.2x6.5 Nickel-Plated ST Cross Recess CSK Head](#)

Would you like individual advice?

We look forward to your email to [products@ettinger.de](mailto:products@ettinger.de).

Subject to change and errors.