

Article datasheet

Cable Tie 4.6x127mm stainless Steel

Article-No.: 072.99.412

Manufacturer: Panduit

Manufacturer article-no.: MLT1S-CP

PANDUIT™



Image may be similar

Bundle Diameter [mm]: 21,0-50,0

Color: Natural

Length [mm]: 127

Material: Stainless Steel AISI 316 / A4

Material Group: Stainless Steel

Width [mm]: 4.6

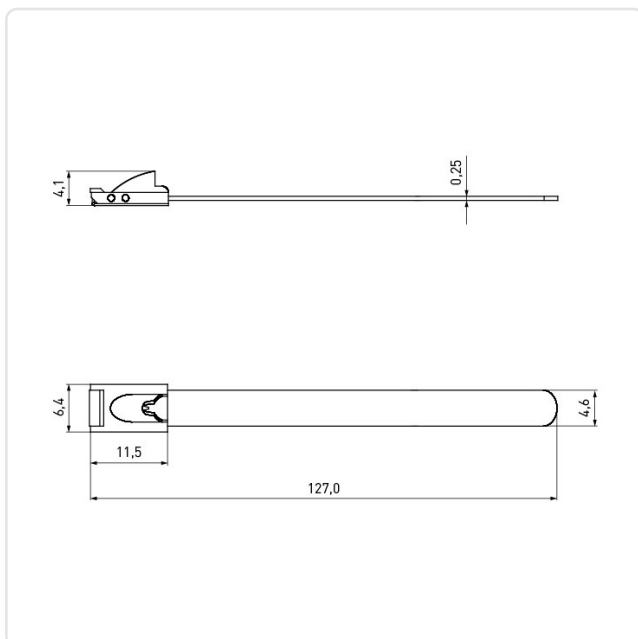
Weight: 1.88g

Conformities:



You can find all information on the web on our article detail page

[Cable Tie 4.6x127mm stainless Steel](#)



Would you like individual advice?

We look forward to your email to products@ettinger.de.

Subject to change and errors.